

Interchangeable Heads (Rectangle) – Ratchets

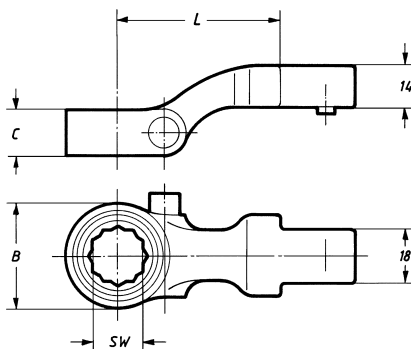


Offset 12-point ring ratchet head with 14x18 mm rectangular socket. The attachment is secured by a spring-loaded retaining pin.

SW ratchet attachments are ideal when a wide range of rotation is required to achieve the target torque, but due to the special configuration of these ratchet attachments, it is not possible to maintain the same centre-to-centre distance throughout.

We therefore only recommend these heads for preset torque wrenches, e.g. TC series.

- ▶ Rectangle insert 14x18 mm.
- ▶ 12-point force transmission.
- ▶ Reversible for cw/ccw rotation by means of slide pin.
- ▶ Centre line due to model.
- ▶ Secured by spring-loaded lock pin.
- ▶ Forged alloy steel, welded, partially chrome plated.



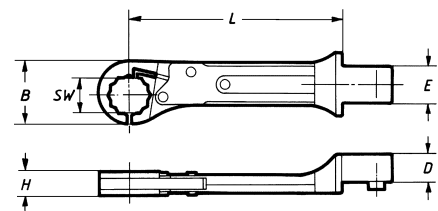
S14-SW-R

Model	Item No.	A/F mm	max. N-m	Dimensions [mm]		
				L	B	C
S14-SW 17 R	R712471	17	61	52	36	15
S14-SW 19 R	R712472	19	103	53	38	16
S14-SW 22 R	R712473	22	167	55	42	17
S14-SW 24 R	R712474	24	210	58	46	18
S14-SW 27 R	R712475	27	270	60	50	18
S14-SW 30 R	R712476	30	320	98,2	54	20
S14-SW 32 R	R712477	32	350	98,2	56	20



FM folding ratchet attachments are ideal for tightening union nuts on brake lines, hydraulic lines, injection lines and similar. The clamping jaws are folded over the nut. The one-dimensional movement of the clamping jaws enables the ratchet function.

- ▶ 12-point force transmission.
- ▶ Rectangle insert 9x12 mm resp. 14x18 mm.
- ▶ Centre line due to model.
- ▶ Secured by spring-loaded locking pin.
- ▶ Forged alloy steel, welded, partially chrome plated.



S9-FM

Model	Item No.	A/F mm	max. N-m	Dimensions [mm]		
				L	B	H
S9-FM-10	R712498	10	27	70	22	7
S9-FM-11	R712499	11	27	70	24	7
S9-FM-12	R712539	12	30	70	25	7
S9-FM-13	R712500	13	32	70	25	7
S9-FM-14	R712501	14	35	70	25	7
S9-FM-16	R712502	16	40	70	32	10
S9-FM-17	R712503	17	85	70	32	10
S9-FM-18	R712504	18	90	70	34	10
S9-FM-19	R712505	19	100	70	34	10
S9-FM-22	R712506	22	130	70	40	13
S9-FM-24	R712552	24	145	85	43	14
S9-FM-27	R712847	27	170	100	50	16

S14-FM

Model	Item No.	A/F mm	max. Nm	Dimensions [mm]		
				L	B	H
S14-FM-14	R712508	14	35	70	25	8
S14-FM-16	R712509	16	40	70	32	9
S14-FM-17	R712510	17	85	75	32	10
S14-FM-18	R712511	18	90	75	34	10
S14-FM-19	R712512	19	100	75	34	10
S14-FM-22	R712513	22	130	75	40	13
S14-FM-24	R712514	24	145	85	43	14
S14-FM-27	R712515	27	170	100	50	16

