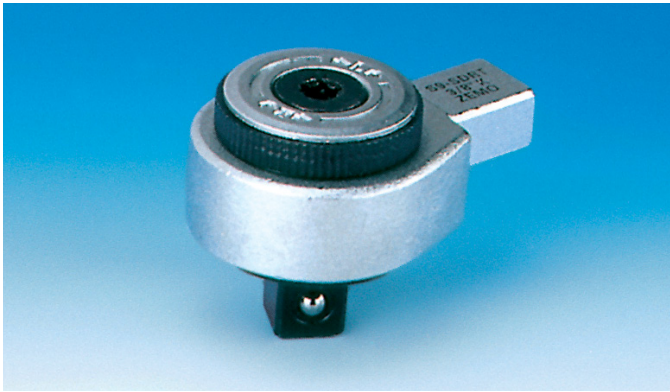


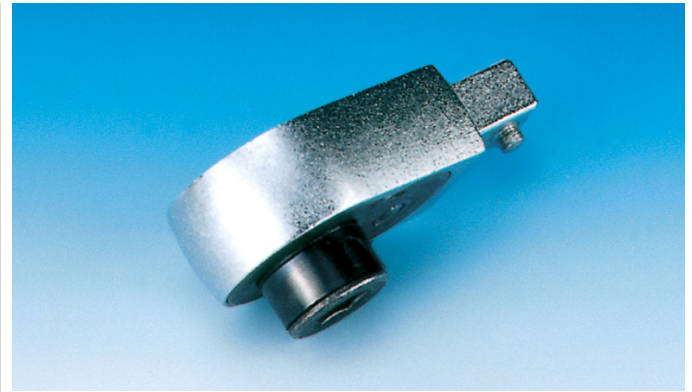
Interchangeable Heads (Rectangle) – Ratchets



Reversible square drive ratchet head with rectangular insert connector 9×12 mm or 14×18 mm. The attachment is secured by a spring-loaded retaining pin.

The load capacity depends on the width across flats and may be less than the capacity of the torque wrench used.

- ▶ Rectangular insert 9×12 mm resp. 14×18 mm.
- ▶ Centre distance depending on model.
- ▶ Right/left reversible.
- ▶ Locking by means of spring pin.
- ▶ Forged alloy steel, partially chrome plated.



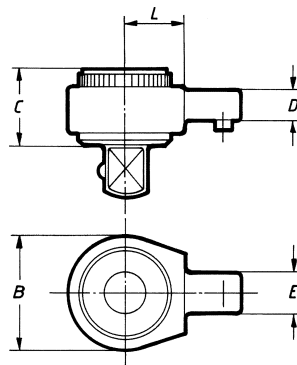
Interchangeable bit ratchet, reversible. Hexagon socket with annular compression spring. Bits are easy to insert, lock securely into place and are easy to pull out again.

- ▶ Ratchet attachment with bit holder (DIN 3126).
- ▶ Rectangular connection 9×12 mm.
- ▶ Centre distance depending on model.
- ▶ Right/left reversible.
- ▶ Locking by means of spring pin.
- ▶ Forged alloy steel, partially chrome plated.

Tool attachments with the same centre distance can be interchanged without having to reset the torque wrench.

INFO

However, when replacing the head with a different centre distance, the torque must be readjusted each time!

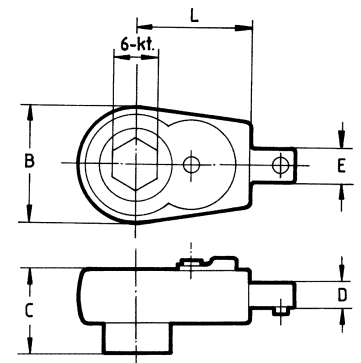


S9-SDRT

Model	Item No.	SqD inch	max. N·m	Dimensions [mm]		
				B	C	L
S9-SDRT 1/4	R716222	¼	25	22	13	17.5
S9-SDRT 3/8	R716223	⅜	80	33	24	17.5
S9-SDRT 1/2	R716224	½	100	33	24	17.5

S14-SDRT

Model	Item No.	SqD inch	max. Nm	Dimensions [mm]		
				B	C	L
S14-SDRT 1/2	R716724	½	250	43	26	25
S14-SDRT 3/4	R716725	¾	300	50	31.5	25



S9-HRT

Model	Item No.	Hex inch	max. N·m	Dimensions [mm]		
				B	C	L
S9-HRT 1/4	R716230	¼	25	22	13.6	17.5
S9-HRT 5/16	R716231	⅝	n.a.	29	17.9	28



Further
info on our
website.
24/7