

Interchangeable Heads (Rectangle) – Box Head



Tool attachments with the same centre distance can be interchanged without having to reset the torque wrench.

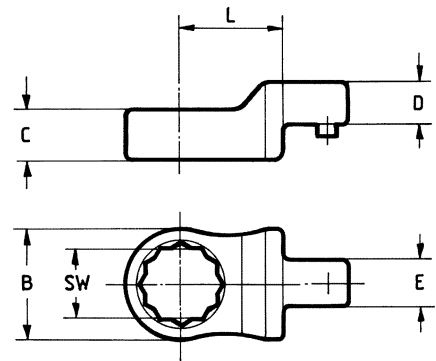
INFO

However, when replacing the head with a different centre distance, the torque must be readjusted each time!

Interchangeable ring spanner head with rectangular insert connector 9x12 mm resp. 14x18 mm. The attachment is secured by a spring-loaded retaining pin.

The load capacity depends on the width across flats and may be less than the capacity of the torque wrench used.

- ▶ Rectangular connection 9x12 mm resp. 14x18 mm.
- ▶ Centre distance depending on model.
- ▶ Locking by means of spring pin.
- ▶ Designed for torques according to DIN 899 series A-ISO 1711.
- ▶ Forged alloy steel, chrome plated.



S9-BH					
Model	Item No.	A/F mm	Dimensions [mm]		
			B	C	L
S9-BH 7MM	R716001	7	13	8	17.5
S9-BH 8MM	R716002	8	14.2	8	17.5
S9-BH 10MM	R716004	10	17.2	9	17.5
S9-BH 11MM	R716005	11	18.5	9	17.5
S9-BH 12MM	R716006	12	20.5	12	17.5
S9-BH 13MM	R716007	13	21.5	12	17.5
S9-BH 14MM	R716008	14	22.5	12	17.5
S9-BH 15MM	R716009	15	24.5	12	17.5
S9-BH 16MM	R716010	16	26	13	17.5
S9-BH 17MM	R716011	17	27	13	17.5
S9-BH 18MM	R716012	18	28	13	17.5
S9-BH 19MM	R716013	19	30.5	13	17.5
S9-BH 21MM	R716014	21	33	15	17.5
S9-BH 22MM	R716015	22	34.5	15	17.5

S14-BH					
Model	Item No.	A/F mm	Dimensions [mm]		
			B	C	L
S14-BH 13MM	R716507	13	22.5	11	25
S14-BH 14MM	R716508	14	23	11	25
S14-BH 15MM	R716509	15	24	11	25
S14-BH 16MM	R716510	16	25.5	12	25
S14-BH 17MM	R716511	17	27	12	25
S14-BH 18MM	R716512	18	29	13	25
S14-BH 19MM	R716513	19	30.5	13	25
S14-BH 21MM	R716515	21	33	15	25
S14-BH 22MM	R716516	22	34.5	15	25
S14-BH 24MM	R716517	24	37.5	15	25
S14-BH 27MM	R716520	27	42.5	17	25
S14-BH 30MM	R716521	30	46	19	25
S14-BH 32MM	R716522	32	47.5	19	25
S14-BH 34MM	R716523	34	52	19	28
S14-BH 36MM	R716524	36	54	19	28
S14-BH 41MM	R716525	41	60	20	30