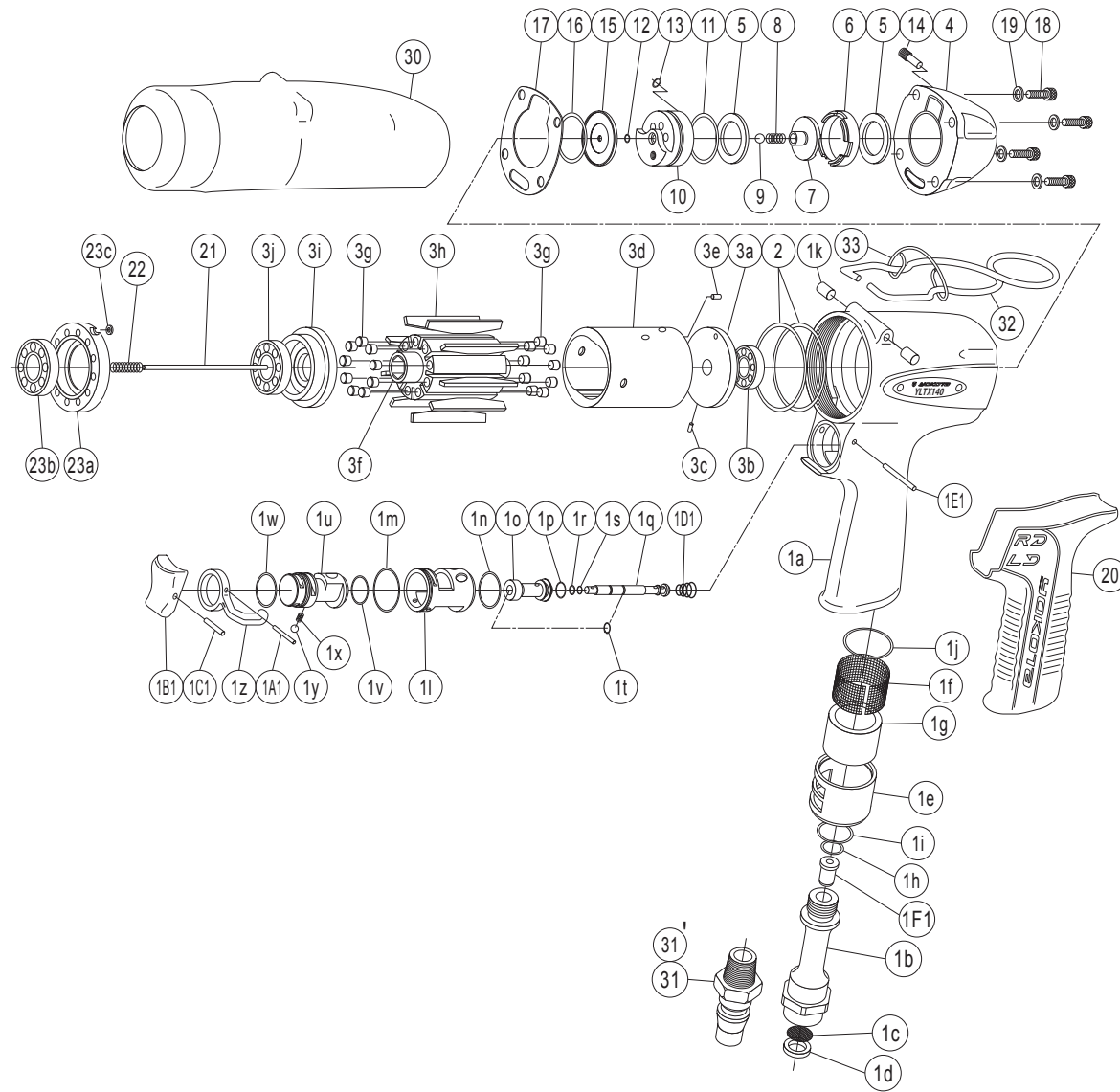


# SHUT-OFF IMPULSE WRENCH

MODELS (YES.No.)	TOOL No.
YLTX140 (00)	0398 0000 0000
YLTX140E (00)	0398 0000 0009

## Exploded View of Motor Case



## Parts for Motor Case

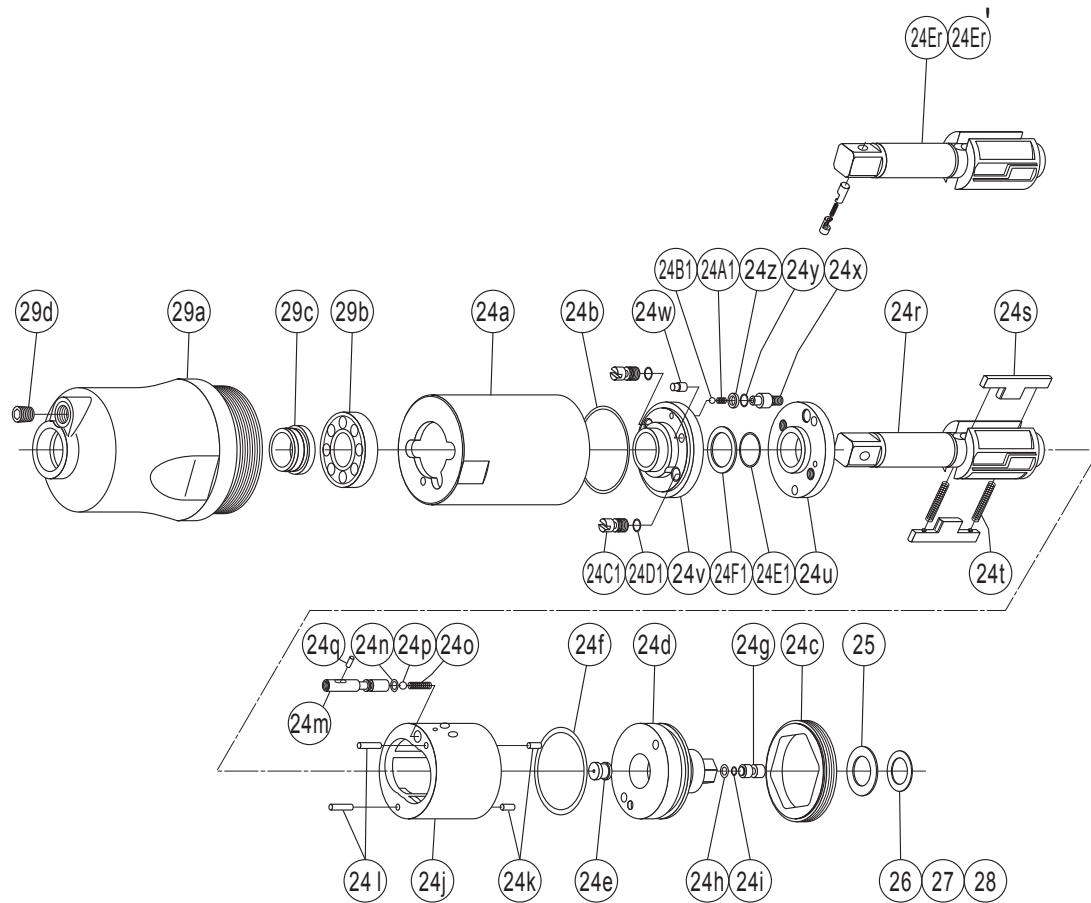
No.	Name of Parts	Per Set	Parts No.	No.	Name of Parts	Per Set	Parts No.
1	Motor Case Assy.	1set	0398 0011 0099	4	Motor Case Cover	1	0381 0001 0000
	(a) Motor Case	1	※ ↑	5	Back-up Ring (19×26×1.5)	2	9090 1035 0000
	Hose Joint Assy.	1set	0345 0113 0099	6	Buffer Plate	1	0380 0297 0000
	(b) Hose Joint	1	※ ↑	7	Shut Off Valve	1	0379 0295 0000
	(c) Strainer	1	0259 0111 0000	8	Spring (3.95×8.6)	1	8020 1387 0000
	(d) Washer (7.5×11×2)	1	8042 2008 0000	9	Ball (4mm)	1	9150 1005 0000
	(e) Exhaust Cover	1	0380 0016 0100	10	Shut Off Valve Bushing	1	0379 0296 0200
	(f) Silencer Sheet (A)	1	0412 0032 0001	11	O-Ring (S22)	1	9010 4011 0000
	(g) Silencer Sheet (D)	1	0346 0032 0004	12	O-Ring (N2)	1	9010 4001 0000
	(h) O-Ring (S12)	1	9010 4005 0000	13	O-Ring (1.4×2.16×4.96)	1	9010 6068 0000
	(i) O-Ring (S16)	1	9010 4009 0000	14	Valve Plug	1	0379 0298 0000
	(j) O-Ring (S24)	1	9010 4012 0000	15	Upper Plate Spacer	1	0379 0301 0000
	(k) Spring Pin (5×8)	2	9250 2027 0000	16	O-Ring (S22)	1	9010 4011 0000
	Throttle Assy.	1set	0380 0186 0099	17	S-Packing	1	0381 0003 0000
	(l) Throttle Bushing	1	0341 0104 0000	18	Hexagon Socket Bolt (M4×10)	4	8070 3159 0000
	(m) O-Ring (0.7×21.5×22.9)	1	9010 6045 0000	19	Washer (4×6.6×1.2)	4	8041 6016 0000
	(n) O-Ring (S20)	1	9010 4010 0000	20	Rubber Grip	1	0188 0144 0000
	Throttle Rod Bushing Assy.	1set	0341 0105 0099	21	Rod	1	0381 1368 0200
	(o) Throttle Rod Bushing	1	※ ↑	22	Spring (5.9×23)	1	8020 1432 0000
	(p) O-Ring (P10)	1	9010 1054 0000	23	Lower Plate Spacer Assy.	1set	0381 0311 0099
	Throttle Rod Assy.	1set	0341 0106 0299		(a) Lower Plate Spacer	1	0381 0311 0000
	(q) Throttle Rod	1	0341 0106 0200		(b) Ball Bearing (6803)	1	9100 1061 0000
	(r) O-Ring (0.5×3.7×4.7)	1	9010 6034 0000		(c) Washer (WSSB4-2-2)	1	8041 6015 0000
	(s) O-Ring (P4)	1	9010 1056 0000	Standard Accessories			
	(t) Snap Ring (ETW-2.8)	1	9040 5008 0000	30	Protector	1	0381 0029 0000
	(u) Reverse Valve	1	0380 0005 0000	31*	Touch Joint (20-PM)	1	9690 0002 0000
	(v) O-Ring (0.6×18×19.2)	1	9010 6046 0000	31'*	Hose Nipple Assy. (XA-352)	1set	8110 1004 0099
	(w) O-Ring (S16)	1	9010 4009 0000	32	Hanger	1	0099 0017 0000
	(x) Spring (3×4)	1	8020 1246 0000	33	Hanger Clip	1	0190 1801 0000
	(y) Ball (1/8)	1	9150 3009 0000		Hex. Wrench (H1.5×65×65)	1	9610 1012 0000
	(z) Reverse Lever	1	0341 0007 0000		Hex. Wrench (H5/32)	1	9610 3008 0000
	(A1) Spring Pin (2×12)	1	9250 1015 0000				
	(B1) Throttle Knob	1	0158 0153 0000				
	(C1) Spring Pin (1.5×14)	1	9250 1005 0000				
	(D1) Conical Spring (5.24×7.6×7)	1	8020 3070 0000				
	(E1) Pin (2×25)	1	8055 1051 0000				
	(F1) Bushing	1	0396 0728 0000				
2	O-Ring (1.78×50.52×54.08)	2	9010 6073 0000				
3	Motor Assy.	1set	0381 0305 0099				
	Upper Plate Assy.	1set	0381 0303 0099				
	(a) Upper Plate	1	0381 0303 0000				
	(b) Ball Bearing (6900CM)	1	9102 1001 0000				
	(c) Pin (2×5)	1	8055 1040 0000				
	Cylinder Assy.	1set	0381 0304 0099				
	(d) Cylinder	1	※ ↑				
	(e) Pin (2.5×6)	1	8055 1053 0000				
	(f) Rotor	1	0381 0305 0000				
	(g) blind Cap	18	0380 0018 0000				
	(h) Vane	9	0381 0306 0100				
	Lower Plate Assy.	1set	0381 0307 0099				
	(i) Lower Plate	1	0381 0307 0000				
	(j) Ball Bearing (6903CM)	1	9102 1018 0000				

The part "※" can not be supplied individually. So please order it as a unit of assembly shown by arrow mark (↑).  
 ☆marked parts; use one of them.

## SHUT-OFF IMPULSE WRENCH

MODELS (YES.No.)	TOOL No.
YLTX140 (00)	0398 0000 0000
YLTX140E (00)	0398 0000 0009

### Exploded View of Liner Case and Hammer Case



### Parts for Liner Case and Hammer Case

No.	Name of Parts	Per Set	Parts No.	No.	Name of Parts	Per Set	Parts No.
24	Liner Case Assy.	1set	0398 0422 00 99	25	Washer (12.6×21×1)	1	8040 6037 00 00
	(a) Liner Case	1	0381 0422 00 00	26*	ST-Packing (12.6×21×0.1)	1	8012 1127 00 00
	(b) O-Ring (1.4×39.6×42.4)	1	9010 6058 00 00	27*	ST-Packing (12.6×21×0.2)	1	8012 1128 00 00
	(c) Liner Cap	1	0380 0423 00 00	28*	ST-Packing (12.6×21×0.3)	1	8012 1129 00 00
	(d) Liner Upper Plate	1	0381 0424 01 00	29	Hammer Case Assy.	1set	0381 0401 00 99
	(e) Liner Upper Plate(A)	1	※ ↑		(a) Hammer Case	1	0381 0401 00 00
	(f) O-Ring (1.78×38.1×41.66)	1	9010 6071 00 00		(b) Ball Bearing (6074)	1	9100 1082 00 00
	(g) Sensor	1	0379 0794 01 00		(c) Main Shaft Bushing	1	0379 0612 00 00
	(h) O-Ring (1.19×3.66×6.04)	1	9010 6080 00 00		(d) Socket Plug (1/16-27)	1	8210 4001 00 00
	(i) O-Ring (N4)	1	9011 0014 00 00	Parts for YLT140E			
	Liner Assy.	1set	0381 0425 00 99	24E	Liner Case Assy.	1set	0398 0422 00 95
	(j) Liner	1	※ ↑		(r) Main Shaft Assy. (E-type)	1set	0381 0614 01 98
	(k) Pin (3.5×5.8)	2	8052 1046 00 00				
	(l) Pin (3.5×9.8)	2	8052 1054 00 00				
	(m) Relief Valve	1	0381 0245 01 00				
	(n) O-Ring (0.71×3.76×5.18)	1	9010 6072 00 00				
	(o) Spring (3.35×11.9)	1	8020 1437 00 00				
	(p) Ball (1/8)	1	9150 3009 00 00				
	(q) Pin FF (2×4.8)	1	8051 1037 00 00				
	(r) Main Shaft	1	0381 0614 01 01				
	(s) Blade	2	0341 0719 00 00				
	(t) Spring (3.9×43.5)	2	8020 1355 00 00				
	(u) Liner Lower Plate(A)	1	0380 0426 00 01				
	Liner Lower Plate(B) Assy.	1set	0380 0426 00 99				
	(v) Liner Lower Plate(B)	1	0380 0426 00 02				
	(w) Dowel Pin	1	0345 0308 00 00				
	(x) Adjust Bolt	1	0380 0522 00 00				
	(y) O-Ring (N2)	1	9010 4001 00 00				
	(z) Back-up Ring (3.2×5×1)	1	9090 1028 00 00				
	(A1) Spring (1.9×2.5)	1	8020 1365 00 00				
	(B1) Ball (2mm)	1	9150 1001 00 00				
	(C1) Oil Plug	2	0181 0010 00 00				
	(D1) O-Ring (N2)	2	9010 4001 00 00				
	(E1) O-Ring (P16)	1	9010 1047 00 00				
	(F1) Back-up Ring (16×19.8×1)	1	9090 1029 00 00				

The part "※" can not be supplied individually. So please order it as a unit of assembly shown by arrow mark (↑).  
 ☆marked parts ; use one of them.