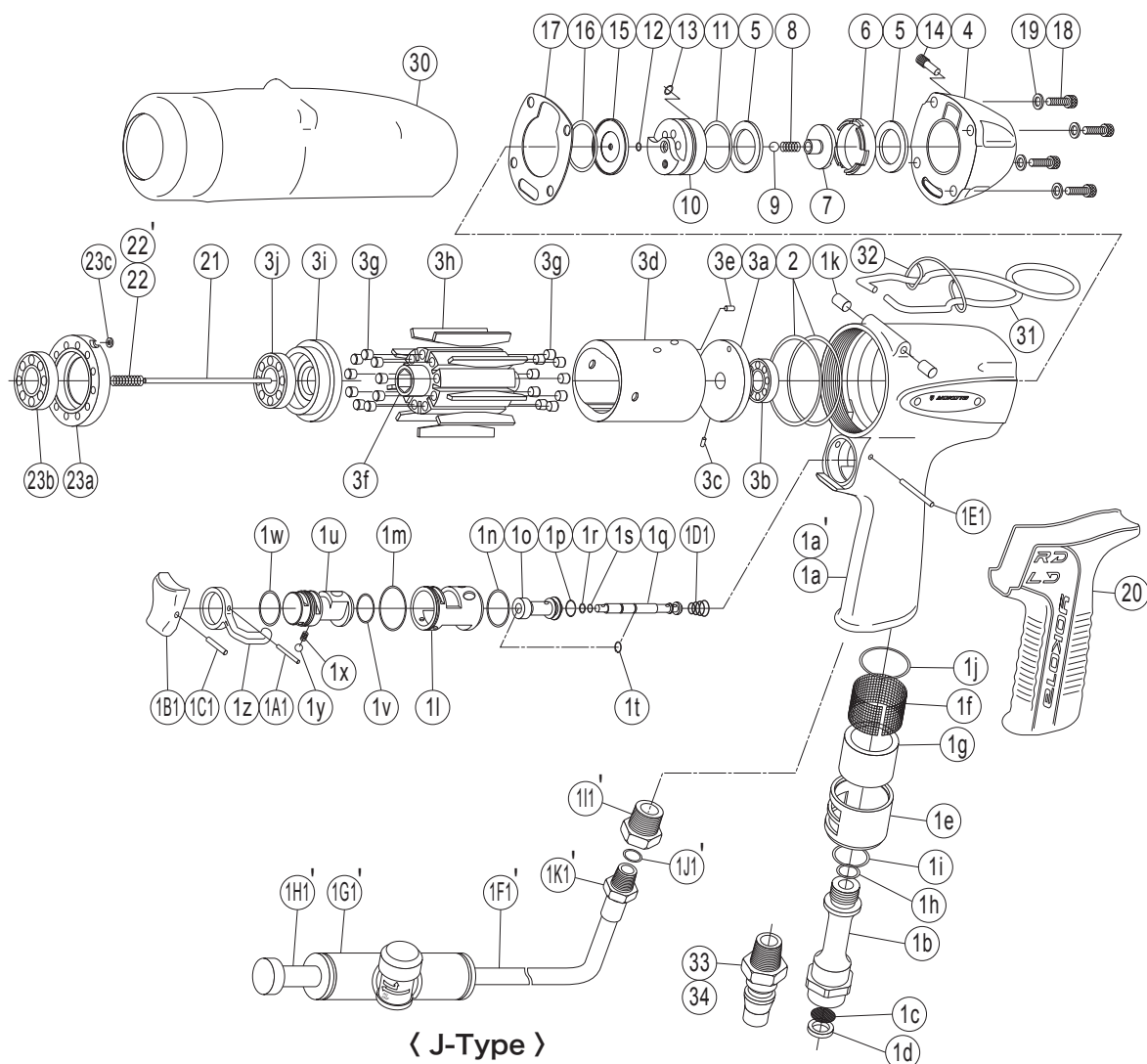


# IMPULSE WRENCH

MODELS (YES.No.)	TOOL No.
YLT150 (02)	0382 0000 0200
YLT150L (02)	0382 0000 0208

## Exploded View of Motor Case



## Parts for Motor Case

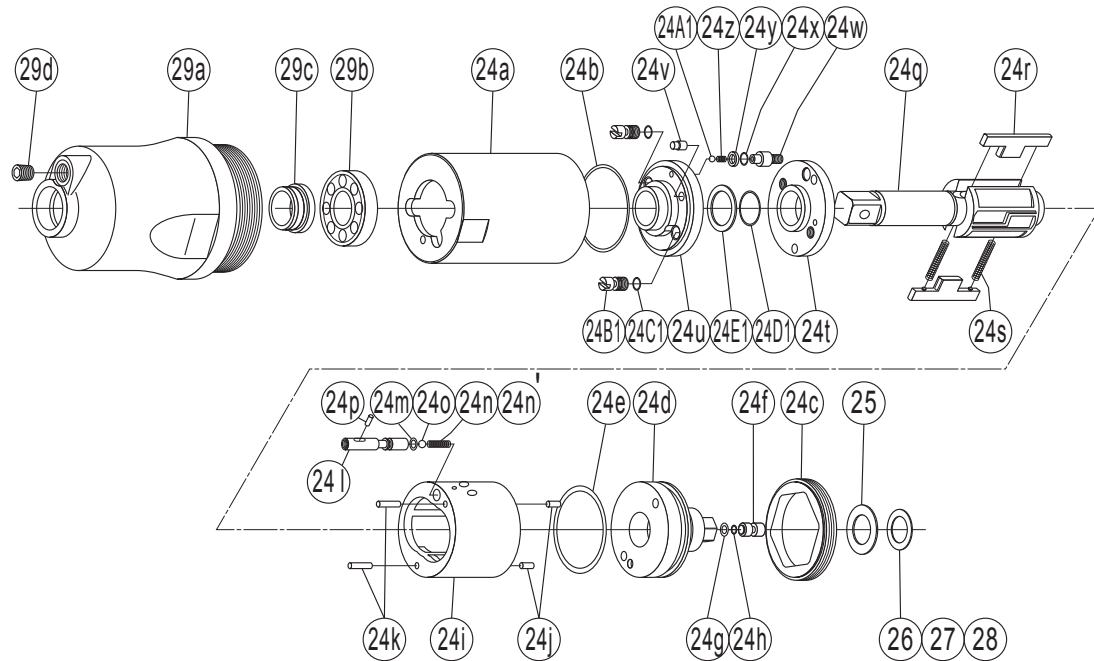
No.	Name of Parts	Per Set	Parts No.	No.	Name of Parts	Per Set	Parts No.
1	Motor Case Assy.	1set	0382 0011 00 99	4	Motor Case Cover	1	0382 0001 00 00
	(a) Motor Case	1	※ ↑	5	Back-up Ring (22x29x1.5)	2	9090 1036 00 00
	Hose Joint Assy.	1set	0345 0113 00 99	6	Buffer Plate	1	0382 0297 01 00
	(b) Hose Joint	1	※ ↑	7	Shut Off Valve	1	0382 0295 00 00
	(c) Strainer	1	0259 0111 00 00	8	Spring (4.05x11.7)	1	8020 1397 00 00
	(d) Washer (7.5x11x2)	1	8042 2008 00 00	9	Ball (4mm)	1	9150 1005 00 00
	(e) Exhaust Cover	1	0380 0016 00 00	10	Shut Off Valve Bushing	1	0382 0296 01 00
	(f) Silencer Sheet (A)	1	0412 0032 00 01	11	O-Ring (1.5x25x28)	1	9010 6076 00 00
	(g) Silencer Sheet (D)	1	0346 0032 00 04	12	O-Ring (N2)	1	9010 4001 00 00
	(h) O-Ring (S12)	1	9010 4005 00 00	13	O-Ring (1.4x2.16x4.96)	1	9010 6068 00 00
	(i) O-Ring (S16)	1	9010 4009 00 00	14	Valve Plug	1	0379 0298 00 00
	(j) O-Ring (S24)	1	9010 4012 00 00	15	Upper Plate Spacer	1	0382 0301 00 00
	(k) Spring Pin (5x8)	2	9250 2027 00 00	16	O-Ring (1.5x25x28)	1	9010 6076 00 00
	Throttle Assy.	1set	0380 0186 00 99	17	S-Packing	1	0382 0003 00 00
	(l) Throttle Bushing	1	0341 0104 00 00	18	Hexagon Socket Bolt (M5x12)	4	8070 3160 00 00
	(m) O-Ring (0.7x21.5x22.9)	1	9010 6045 00 00	19	Washer (5x8.4x1.2)	4	8041 6017 00 00
	(n) O-Ring (S20)	1	9010 4010 00 00	20	Rubber Grip	1	0188 0144 00 00
	Throttle Rod Bushing Assy.	1set	0341 0105 00 99	21	Rod	1	0382 1368 01 00
	(o) Throttle Rod Bushing	1	※ ↑	22	Spring (5.6x29)	1	8020 1409 00 00
	(p) O-Ring (P10)	1	9010 1054 00 00	23	Lower Plate Spacer Assy.	1set	0382 0311 00 99
	Throttle Rod Assy.	1set	0341 0106 02 99		(a) Lower Plate Spacer	1	0382 0311 00 00
	(q) Throttle Rod	1	0341 0106 02 00		(b) Ball Bearing (6804)	1	9100 1065 00 00
	(r) O-Ring (0.5x3.7x4.7)	1	9010 6034 00 00		(c) Washer (WSSB4-2-2)	1	8041 6015 00 00
	(s) O-Ring (P4)	1	9010 1056 00 00	Parts for YLT150L			
	(t) Snap Ring (ETW-2.8)	1	9040 5008 00 00	22'	Spring (5.6x28)	1	8020 1399 00 00
	(u) Reverse Valve	1	0380 0005 00 00	Special Common Parts for J Type			
	(v) O-Ring (0.6x18x19.2)	1	9010 6046 00 00	1'	Motor Case Assy.	1set	0382 0011 02 98
	(w) O-Ring (S16)	1	9010 4009 00 00		(a) Motor Case(A)	1	※ ↑
	(x) Spring (3x4)	1	8020 1246 00 00	(F1) Tube (4x2.5x150mm)	1	9380 6037 00 00	
	(y) Ball (1/8)	1	9150 3009 00 00	(G1) Tube Joint	1	9643 4002 00 00	
	(z) Reverse Lever	1	0341 0007 00 00	(H1) Blank Plug	1	9641 3006 00 00	
	(A1) Spring Pin (2x12)	1	9250 1015 00 00	(I1) Bushing	1	0371 0728 01 00	
	(B1) Throttle Knob	1	0158 0153 00 00	(J1) O-Ring (1.19x1.78x4.16)	1	9010 6074 00 00	
	(C1) Spring Pin (1.5x14)	1	9250 1005 00 00	(K1) Straight One Touch Joint	1	9643 3004 00 00	
	(D1) Conical Spring (5.24x7.6x7)	1	8020 3070 00 00	Standard Accessories			
	(E1) Pin (2x25)	1	8055 1051 00 00	30	Protector	1	0382 0029 00 00
2	O-Ring (1.78x56.87x60.43)	2	9010 6075 00 00	31	Hanger	1	0099 0017 00 00
3	Motor Assy.	1set	0382 0305 00 99	32	Hanger Clip	1	0190 1801 00 00
	Upper Plate Assy.	1set	0382 0303 00 99	33*	Touch Joint	1	9690 0002 00 00
	(a) Upper Plate	1	0382 0303 00 00	34*	Hose Nipple Assy.(XA-352)	1set	8110 1004 00 99
	(b) Ball Bearing (6901CM)	1	9102 1003 00 00		Hex. Wrench (H2x65x65)	1	9610 1013 00 00
	(c) Pin (2x5)	1	8055 1040 00 00		Hex. Wrench (H5/32)	1	9610 3008 00 00
	Cylinder Assy.	1set	0382 0304 00 99				
	(d) Cylinder	1	※ ↑				
	(e) Pin (2.5x6)	1	8055 1053 00 00				
	(f) Rotor	1	0382 0305 00 00				
	(g) blind Cap	18	0382 0018 00 00				
	(h) Vane	9	0382 0306 01 00				
	Lower Plate Assy.	1set	0382 0307 00 99				
	(i) Lower Plate	1	0382 0307 00 00				
	(j) Ball Bearing (6804)	1	9100 1065 00 00				

The part "※" can not be supplied individually. So please order it as a unit of assembly shown by arrow mark (↑).  
☆marked parts ; use one of them.

# IMPULSE WRENCH

MODELS (YES.No.)	TOOL No.
YLT150 (02)	0382 0000 0200
YLT150L (02)	0382 0000 0208

## Exploded View of Liner Case and Hammer Case



## Parts for Liner Case and Hammer Case

No.	Name of Parts	Per Set	Parts No.	No.	Name of Parts	Per Set	Parts No.
24	Liner Case Assy.	1set	0382 0422 01 99	25	Washer (13.8x23x1)	1	8040 6038 00 00
	(a) Liner Case	1	0382 0422 00 00	26*	ST-Packing (13.8x23x0.1)	1	8011 1137 00 00
	(b) O-Ring (1.5x49x52)	1	9010 6057 00 00	27*	ST-Packing (13.8x23x0.2)	1	8011 1138 00 00
	(c) Liner Cap	1	0382 0423 00 00	28*	ST-Packing (13.8x23x0.3)	1	8011 1139 00 00
	(d) Liner Upper Plate	1	0382 0424 00 00	29	Hammer Case Assy.	1set	0382 0401 00 99
	(e) O-Ring (2x48x52)	1	9010 6077 00 00		(a) Hammer Case	1	0382 0401 00 00
	(f) Sensor	1	0379 0794 01 00		(b) Ball Bearing (6706)	1	9100 1083 00 00
	(g) O-Ring (1.19x3.66x6.04)	1	9010 6080 00 00		(c) Main Shaft Bushing	1	0382 0612 00 00
	(h) O-Ring (N4)	1	9011 0014 00 00		(d) Socket Plug (1/16-27)	1	8210 4001 00 00
	Liner Assy.	1set	0382 0425 00 99	Parts for YLT150L			
	(i) Liner	1	※ ↑	24'	Liner Case Assy.	1set	0382 0422 01 94
	(j) Pin (4x5)	2	8052 1051 00 00		(n) Spring (4.1x16.3)	1	8020 1396 00 00
	(k) Pin (4x9.8)	2	8052 1055 00 00				
	(l) Relief Valve	1	0382 0245 00 00				
	(m) O-Ring (0.8x4.6x6.2)	1	9010 6078 00 00				
	(n) Spring (4.1x16.1)	1	8020 1395 00 00				
	(o) Ball (4mm)	1	9150 1005 00 00				
	(p) Pin FF (2x4.8)	1	8051 1037 00 00				
	(q) Main Shaft	1	0382 0614 01 01				
	(r) Blade	2	0382 0719 00 00				
	(s) Spring (3.9x51.5)	2	8020 1360 00 00				
	(t) Liner Lower Plate(A)	1	0382 0426 00 01				
	Liner Lower Plate(B) Assy.	1set	0382 0426 00 99				
	(u) Liner Lower Plate(B)	1	0382 0426 00 02				
	(v) Dowel Pin	1	0345 0308 00 00				
	(w) Adjust Bolt	1	0382 0522 00 00				
	(x) O-Ring (S4)	1	9010 4058 00 00				
	(y) Back-up Ring (4x6.2x1.25)	1	9090 1026 00 00				
	(z) Spring (1.9x2.5)	1	8020 1365 00 00				
	(A1) Ball (2mm)	1	9150 1001 00 00				
	(B1) Oil Plug	2	0181 0010 00 00				
	(C1) O-Ring (N2)	2	9010 4001 00 00				
	(D1) O-Ring (JASO2025)	1	9011 7003 00 00				
	(E1) Back-up Ring (25x29x1)	1	9090 1008 00 00				

The part "※" can not be supplied individually. So please order it as a unit of assembly shown by arrow mark (↑).  
 ☆marked parts ; use one of them.