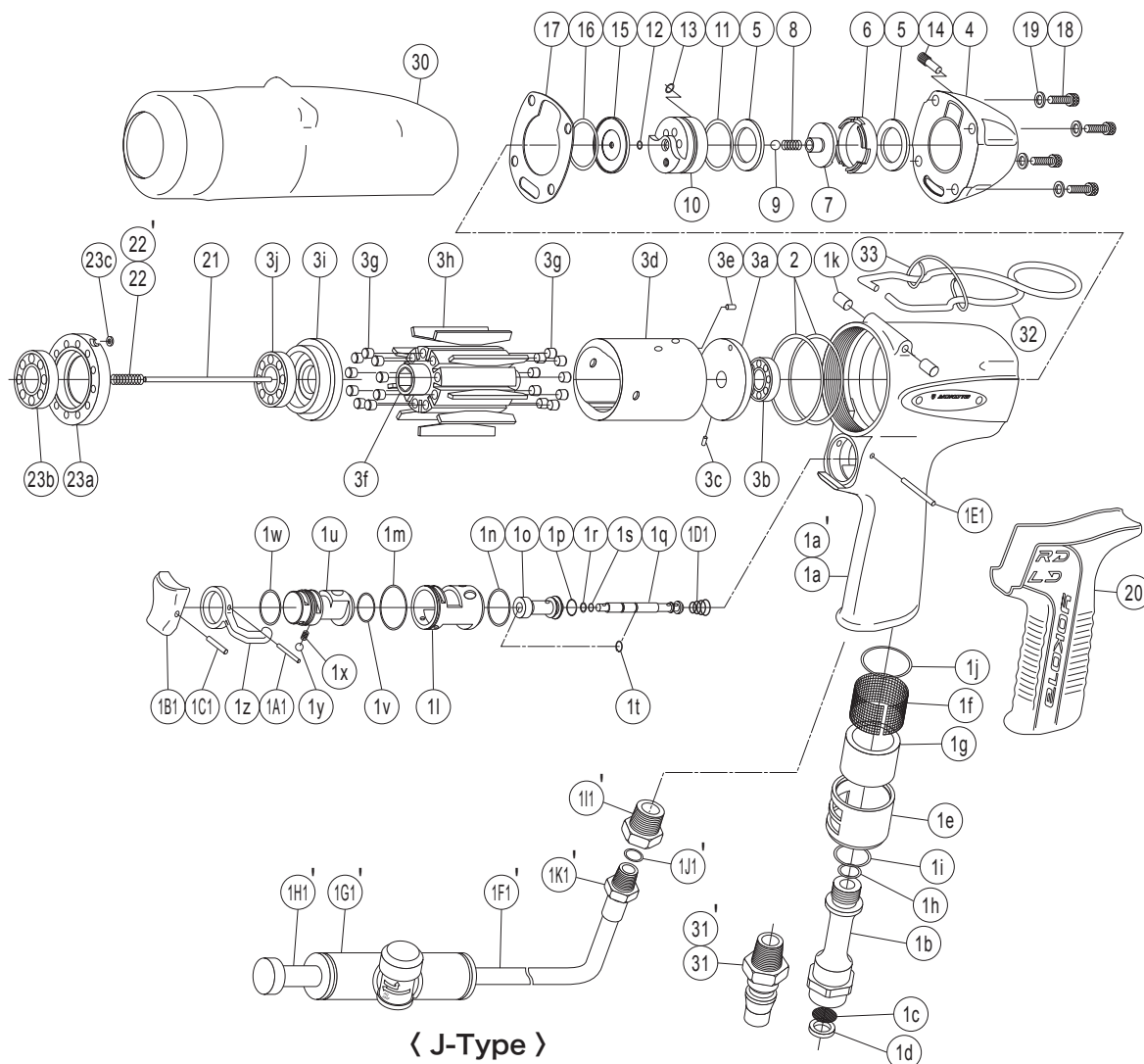


IMPULSE WRENCH

MODELS (YES.No.)	TOOL No.	MODELS (YES.No.)	TOOL No.
YLT120 (02)	0380 0000 0200	YLT120L (02)	0380 0000 0208
YLT120E (02)	0380 0000 0209	YLT120EL (02)	0380 0000 0284

Exploded View of Motor Case



Parts for Motor Case

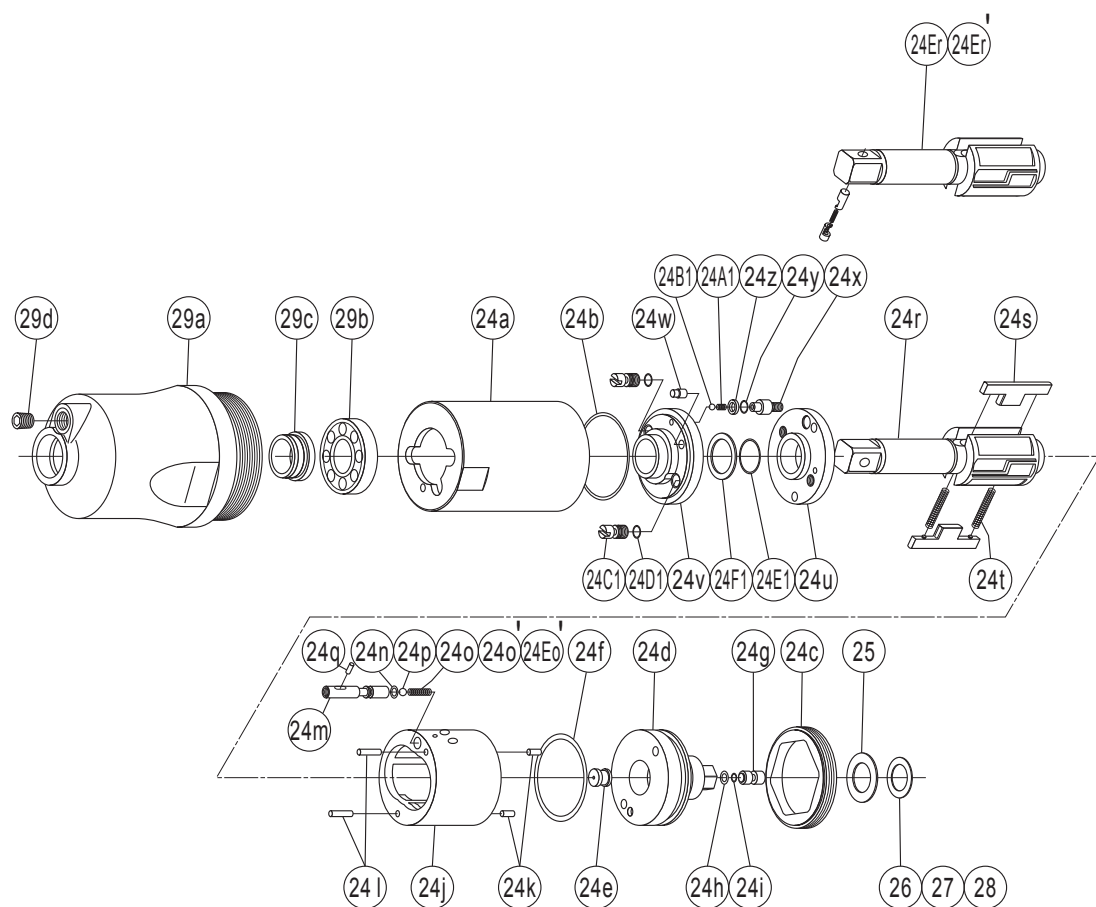
No.	Name of Parts	Per Set	Parts No.	No.	Name of Parts	Per Set	Parts No.
1	Motor Case Assy.	1set	0380 0011 00 99	4	Motor Case Cover	1	0380 0001 00 00
	(a) Motor Case	1	※ ↑	5	Back-up Ring (19x26x1.5)	2	9090 1035 00 00
	Hose Joint Assy.	1set	0345 0113 00 99	6	Buffer Plate	1	0380 0297 00 00
	(b) Hose Joint	1	※ ↑	7	Shut Off Valve	1	0379 0295 00 00
	(c) Strainer	1	0259 0111 00 00	8	Spring (3.95x8.6)	1	8020 1387 00 00
	(d) Washer (7.5x11x2)	1	8042 2008 00 00	9	Ball (4mm)	1	9150 1005 00 00
	(e) Exhaust Cover	1	0380 0016 00 00	10	Shut Off Valve Bushing	1	0379 0296 01 00
	(f) Silencer Sheet (A)	1	0142 0032 00 01	11	O-Ring (S22)	1	9010 4011 00 00
	(g) Silencer Sheet	1	0335 0032 00 00	12	O-Ring (N2)	1	9010 4001 00 00
	(h) O-Ring (S12)	1	9010 4005 00 00	13	O-Ring (1.4x2.16x4.96)	1	9010 6068 00 00
	(i) O-Ring (S16)	1	9010 4009 00 00	14	Valve Plug	1	0379 0298 00 00
	(j) O-Ring (S24)	1	9010 4012 00 00	15	Upper Plate Spacer	1	0379 0301 00 00
	(k) Spring Pin (5x8)	2	9250 2027 00 00	16	O-Ring (S22)	1	9010 4011 00 00
	Throttle Assy.	1set	0380 0186 00 99	17	S-Packing	1	0380 0003 00 00
	(l) Throttle Bushing	1	0341 0104 00 00	18	Hexagon Socket Bolt (M4x10)	4	8070 3159 00 00
	(m) O-Ring (0.7x21.5x22.9)	1	9010 6045 00 00	19	Washer (4x6.6x1.2)	4	8041 6016 00 00
	(n) O-Ring (S20)	1	9010 4010 00 00	20	Rubber Grip	1	0188 0144 00 00
	Throttle Rod Bushing Assy.	1set	0341 0105 00 99	21	Rod	1	0380 1368 01 00
	(o) Throttle Rod Bushing	1	※ ↑	22	Spring (5.1x22.1)	1	8020 1416 00 00
	(p) O-Ring (P10)	1	9010 1054 00 00	23	Lower Plate Spacer Assy.	1set	0380 0311 00 99
	Throttle Rod Assy.	1set	0341 0106 02 99		(a) Lower Plate Spacer	1	0380 0311 00 00
	(q) Throttle Rod	1	0341 0106 02 00		(b) Ball Bearing (6802)	1	9100 1063 00 00
	(r) O-Ring (0.5x3.7x4.7)	1	9010 6034 00 00		(c) Washer (WSSB4-2-2)	1	8041 6015 00 00
	(s) O-Ring (P4)	1	9010 1056 00 00	Parts for YLT120L·120EL			
	(t) Snap Ring (ETW-2.8)	1	9040 5008 00 00	22'	Spring (5.1x21.5)	1	8020 1417 00 00
	(u) Reverse Valve	1	0380 0005 00 00	Special Common Parts for J Type			
	(v) O-Ring (0.6x18x19.2)	1	9010 6046 00 00	1'	Motor Case Assy.	1set	0380 0011 02 98
	(w) O-Ring (S16)	1	9010 4009 00 00		(a) Motor Case(A)	1	※ ↑
	(x) Spring (3x4)	1	8020 1246 00 00		(F1) Tube (4x2.5x150mm)	1	9380 6037 00 00
	(y) Ball (1/8)	1	9150 3009 00 00		(G1) Tube Joint	1	9643 4002 00 00
	(z) Reverse Lever	1	0341 0007 00 00		(H1) Blank Plug	1	9641 3006 00 00
	(A1) Spring Pin (2x12)	1	9250 1015 00 00		(I1) Bushing	1	0371 0728 01 00
	(B1) Throttle Knob	1	0158 0153 00 00		(J1) O-Ring (1.19x1.78x4.16)	1	9010 6074 00 00
	(C1) Spring Pin (1.5x14)	1	9250 1005 00 00		(K1) Straight One Touch Joint	1	9643 3004 00 00
	(D1) Conical Spring (5.24x7.6x7)	1	8020 3070 00 00	Standard Accessories			
	(E1) Pin (2x25)	1	8055 1051 00 00	30	Protector	1	0380 0029 00 00
2	O-Ring (S46)	2	9010 4032 00 00	31*	Touch Joint	1	9690 0002 00 00
3	Motor Assy.	1set	0380 0305 00 99	31'*	Hose Nipple Assy.(XA-352)	1set	8110 1004 00 99
	Upper Plate Assy.	1set	0380 0303 00 99	32	Hanger	1	0099 0017 00 00
	(a) Upper Plate	1	0380 0303 00 00	33	Hanger Clip	1	0190 1801 00 00
	(b) Ball Bearing (6900CM)	1	9102 1001 00 00		Hex. Wrench (H1.5x65x65)	1	9610 1012 00 00
	(c) Pin (2x5)	1	8055 1040 00 00		Hex. Wrench (H5/32)	1	9610 3008 00 00
	Cylinder Assy.	1set	0380 0304 00 99				
	(d) Cylinder	1	※ ↑				
	(e) Pin (2.5x6)	1	8055 1053 00 00				
	(f) Rotor	1	0380 0305 00 00				
	(g) blind Cap	18	0380 0018 00 00				
	(h) Vane	9	0380 0306 01 00				
	Lower Plate Assy.	1set	0380 0307 00 99				
	(i) Lower Plate	1	0380 0307 00 00				
	(j) Ball Bearing (6902CM)	1	9102 1004 00 00				

The part "※" can not be supplied individually. So please order it as a unit of assembly shown by arrow mark (↑).
 ☆marked parts ; use one of them.

IMPULSE WRENCH

MODELS (YES.No.)	TOOL No.	MODELS (YES.No.)	TOOL No.
YLT120 (02)	0380 0000 0200	YLT120L (02)	0380 0000 0208
YLT120E (02)	0380 0000 0209	YLT120EL (02)	0380 0000 0284

Exploded View of Liner Case and Hammer Case



Parts for Liner Case and Hammer Case

No.	Name of Parts	Per Set	Parts No.	No.	Name of Parts	Per Set	Parts No.
24	Liner Case Assy.	1set	0380 0422 01 99	25	Washer (11.6x19.2x1)	1	8040 6036 00 00
	(a) Liner Case	1	0380 0422 00 00	26*	ST-Packing (11.6x19.2x0.1)	1	8012 1124 00 00
	(b) O-Ring (1.4x39.6x42.4)	1	9010 6058 00 00	27*	ST-Packing (11.6x19.2x0.2)	1	8012 1125 00 00
	(c) Liner Cap	1	0380 0423 00 00	28*	ST-Packing (11.6x19.2x0.3)	1	8012 1126 00 00
	(d) Liner Upper Plate	1	0380 0424 00 00	29	Hammer Case Assy.	1set	0380 0401 00 99
	(e) Liner Upper Plate(A)	1	※ ↑		(a) Hammer Case	1	0380 0401 00 00
	(f) O-Ring (1.78x38.1x41.66)	1	9010 6071 00 00		(b) Ball Bearing (6074)	1	9100 1082 00 00
	(g) Sensor	1	0379 0794 01 00		(c) Main Shaft Bushing	1	0379 0612 00 00
	(h) O-Ring (1.19x3.66x6.04)	1	9010 6080 00 00		(d) Socket Plug (1/16-27)	1	8210 4001 00 00
	(i) O-Ring (N4)	1	9011 0014 00 00				
	Liner Assy.	1set	0380 0425 00 99		Parts for YLT120L		
	(j) Liner	1	※ ↑	24'	Liner Case Assy.	1set	0380 0422 01 94
	(k) Pin (3.5x5.8)	2	8052 1046 00 00		(o) Spring (3.1x9.3)	1	8020 1384 00 00
	(l) Pin (3.5x9.8)	2	8052 1054 00 00		Parts for YLT120E		
	(m) Relief Valve	1	0380 0245 01 00	24E	Liner Case Assy.	1set	0380 0422 01 95
	(n) O-Ring (0.71x3.76x5.18)	1	9010 6072 00 00		(r) Main Shaft Assy. (E-type)	1set	0380 0614 01 98
	(o) Spring (3.1x9.2)	1	8020 1383 00 00				
	(p) Ball (1/8)	1	9150 3009 00 00		Parts for YLT120EL		
	(q) Pin FF (2x4.8)	1	8051 1037 00 00	24E'	Liner Case Assy.	1set	0380 0422 01 91
	(r) Main Shaft	1	0380 0614 01 01		(o) Spring (3.1x9.3)	1	8020 1384 00 00
	(s) Blade	2	0342 0719 00 00		(r) Main Shaft Assy. (E-type)	1set	0380 0614 01 98
	(t) Spring (4x43)	2	8020 1354 00 00				
	(u) Liner Lower Plate(A)	1	0380 0426 00 01				
	Liner Lower Plate(B) Assy.	1set	0380 0426 00 99				
	(v) Liner Lower Plate(B)	1	0380 0426 00 02				
	(w) Dowel Pin	1	0345 0308 00 00				
	(x) Adjust Bolt	1	0380 0522 00 00				
	(y) O-Ring (N2)	1	9010 4001 00 00				
	(z) Back-up Ring (3.2x5x1)	1	9090 1028 00 00				
	(A1) Spring (1.9x2.5)	1	8020 1365 00 00				
	(B1) Ball (2mm)	1	9150 1001 00 00				
	(C1) Oil Plug	2	0181 0010 00 00				
	(D1) O-Ring (N2)	2	9010 4001 00 00				
	(E1) O-Ring (P16)	1	9010 1047 00 00				
	(F1) Back-up Ring (16x19.8x1)	1	9090 1029 00 00				

The part "※" can not be supplied individually. So please order it as a unit of assembly shown by arrow mark (↑).
 ☆marked parts ; use one of them.