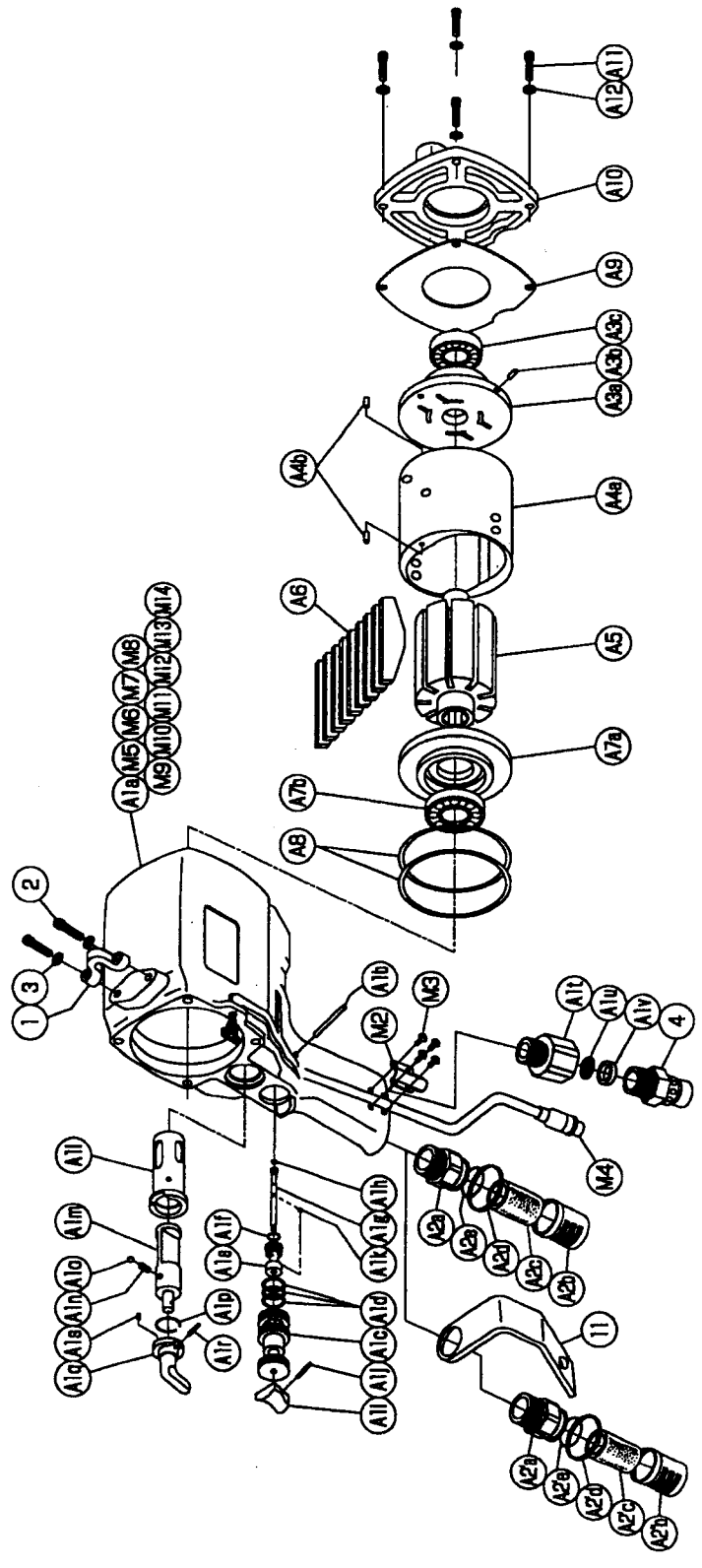




With built - in torque sensor
2 BLADE-SYSTEM WRENCH

MODEL (YES.No.)	TOOL No.
YED-200 (02)	0409 0000 0200
YED-200-G (02)	0409 0000 0211

Exploded View of Motor Case



Parts for Motor Case

No.	Name of Parts	Per Set	Parts No.	No.	Name of Parts	Per Set	Parts No.
M	Motor Case Assy.	1set	0408 0011 01 88	M2	Card Cover	1	0280 0848 00 00
M1	Motor Case (A) Assy.	1set	0408 0011 01 88	M3	Screw (M3x5)	4	8400 2018 00 00
A1	Motor Case (B) Assy.	1set	0408 0011 01 87	M4	Cable Assy.	1set	0146 0802 00 99
	(a) Motor Case (3x30)	1	*	M5	Shrinkage Tube (NPE10-6-1)	1	8380 5018 00 00
	(b) BPin	1	8410 1032 00 00	M6	Shrinkage Tube (φ3x15)	1	8380 5007 00 00
	Throttle Bushing Assy.	1set	0408 0104 00 89	M7	Shrinkage Tube (φ1.5x10)	4	8380 5008 00 00
	(c) Throttle Bushing	1	*	M8	Micro Connector (PM-10)	1	8600 2001 00 00
	(d) O-Ring (N16)	3	8010 4008 00 00	M9	Shrinkage Tube (φ5x20)	1	8380 5009 00 00
	Throttle Rod Bushing Assy.	1set	0408 0105 00 89	M10	Socket Contact (170206-1)	2	8480 1001 00 00
	(e) Throttle Rod Bushing	1	*	M11	Socket Housing (171822-2)	1	8470 1001 00 00
	(f) O-Ring (P9)	1	8010 1051 00 00	M12	Buzzer Basic Assy.	1	0234 0788 00 88
	Throttle Rod Assy.	1set	3038 0108 00 89	M13	O-Ring (P20)	1	8010 1017 00 00
	(g) Throttle Rod	1	*	M14	Snap Ring (RTW-24)	1	8040 1014 00 00
	(h) O-Ring (N2)	1	8010 4001 00 00	1	Hangar	1	0508 0017 00 00
	Throttle Knob	1	2024 0153 00 00	2	Hexagon Socket Bolt (M6x18)	2	8070 3033 00 00
(i)	Spring Pin (1.5x1.4)	1	8250 1005 00 00	3	Spring Washer (M6)	2	8200 3008 00 00
(k)	Snap Ring (ETW-2.8)	1	8040 5008 00 00	4	Touch Joint (172)	1	9880 0018 00 00
(l)	Reverse Bushing	1	0408 0004 00 00				
(m)	Reverse Valve	1	0408 0005 00 00				
(n)	Spring (4x6)	1	8020 1022 00 00				
(o)	Ball (4mm)	1	8150 1005 00 00				
(p)	Snap Ring (RTW-1.7)	1	8040 3008 00 00				
(q)	Reverse Lever	1	0722 0007 00 00				
(r)	Spring Pin (2x1.2)	1	8250 1015 00 00				
(s)	Spring Pin (2x5)	1	8250 1010 00 00				
	Hose Joint	1set	0408 0113 00 89				
(t)	Hose Joint Assy.	1	*				
(u)	Strainer	1	*				
(v)	Washer (11x16x4)	1	*				
A2	Silencer Assy.	1set	0408 0063 01 88				
(a)	Silencer Body (A)	1	*				
(b)	Silencer Cover	1	0408 0081 00 00				
(c)	Silencer Sheet	1	0722 0032 00 00				
(d)	Joint Ring	1	1105 0118 00 00				
(e)	O-Ring (N20)	1	8010 4010 00 00				
A3	Upper Plate Assy.	1set	0408 0303 01 99				
(a)	Upper Plate	1	0408 0303 01 00				
(b)	Pin (3x6)	1	8055 1084 00 00				
(c)	Ball Bearing (60030CM)	1	8102 1008 00 00				
A4	Cylinder Assy.	1set	0408 0304 01 99				
(a)	Cylinder	1	*				
(b)	Pin (3x6)	2	8055 1084 00 00				
A5	Pactor	1	0408 0306 00 00				
A6	Vane	8	0408 0308 00 00				
A7	Lower Plate Assy.	1set	0408 0307 01 99				
(a)	Lower Plate	1	0408 0307 01 00				
(b)	Ball Bearing (65050CM)	1	8102 1007 00 00				
A8	O-Ring (ANS230-12)	2	8010 7002 00 00				
A9	S-Packing (A)	1	0408 0003 01 01				
A10	Motor Case Cover	1	0408 0001 01 00				
A11	Hexagon Socket Bolt (M6x18)	4	8070 3033 00 00				
A12	Spring Washer (M6)	4	8200 3006 00 00				

The part * can not be supplied individually. So please order it as a unit of assembly shown by arrow mark (↑).



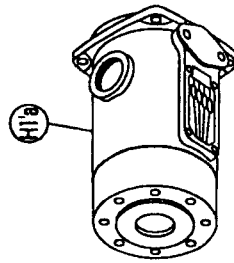
YOKOTA EUROPA BV

P.O. BOX 392 NL-1000 AJ AMSTERDAM PHONE 020-5318809 FAX 020-5318808
 e-mail: info@impulstools.com; http://www.impulstools.com
 Hydraulic, Pneumatic Wrenches, Impact Wrenches, Drills, Grinders, Screw Drivers, Sockets, Pliers

Parts for Liner Case

No.	Name of Parts	Per Set	Parts No.
L	Liner Case Assy.	1set	0408 0422 02 99
L1	Liner Case	1	0408 0422 01 00
L2	O - Ring (N63)	2	9010 4038 00 00
L3	Liner Cap	1	0405 0423 00 00
L4	Liner Upper Plate	1	0405 0424 01 00
L5	O - Ring (N56)	1	9010 4037 00 00
L6	Liner Assy.	1set	0405 0425 04 99
	(a) Liner	1	* ↑
	(b) Pin (4.5x7.5 41~44HRc)	2	8052 1039 00 00
	(c) Pin (5x7 41~44HRc)	2	8052 1038 00 00
L7	Relet Valve	1	0405 0245 00 00
L8	Spring Guide (B) Assy.	1set	0405 0510 00 99
	(a) Spring Guide (B)	1	* ↑
	(b) O - Ring (P3)	1	9010 1001 00 00
L9	Liner Shaft	1	0408 0788 01 00
L10	Blade	2	0405 0718 01 00
L11	Spring (4.8x57)	2	8020 1327 00 00
L12	Spring (3.2x57)	2	8020 1328 00 00
L13	Liner Lower Plate (A) Assy.	1set	0407 0426 04 98
	(a) Liner Lower Plate	1	* ↑
	(b) Nylon Bushing	1	0408 0431 02 00
	(c) Bushing	1	0408 0728 00 00
	(d) Adjust Bolt	1	0407 0522 01 00
	(e) Spring Pin (6x8)	1	9250 2028 00 00
L14	Hexagon Socket Bolt (M5x8)	1	8071 1011 00 00
L15	Washer (7.5x9.5x1.2)	1	8040 1127 00 00
L16	O - Ring (N5)	1	9010 4033 00 00
L17	O - Ring (JASO 2025)	1	9011 3002 00 00
L18	Back-up Ring (25x29x1)	1	9090 1008 00 00
L19	O - Ring (N8)	2	9010 4028 00 00
S	S - Packing (B)	1	0405 0003 00 02

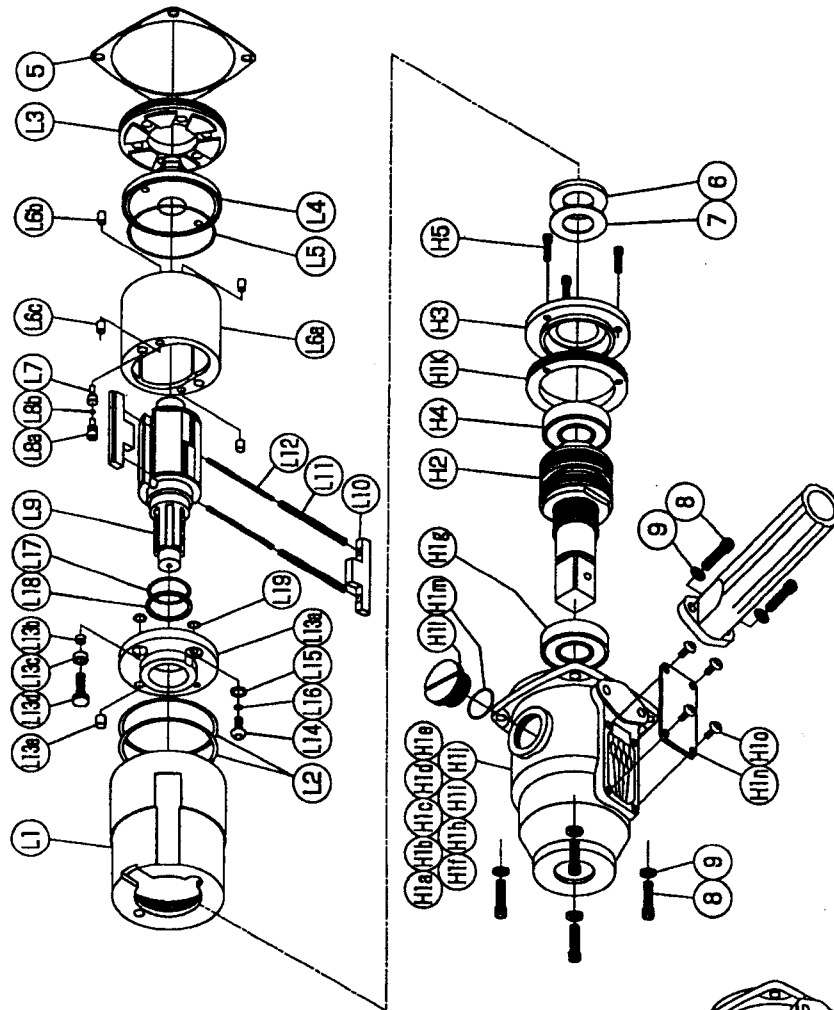
The part "*" can not be supplied individually.
 Please order it as a unit of assembly shown by
 arrow mark (↑).



With built - in torque sensor 2 BLADE · SYSTEM WRENCH

MODEL (YES.No.)	TOOL No.
YED-200 (02)	0409 0000 0200
YED-200-G (02)	0409 0000 0211

Exploded View of Liner Case and Hammer Case



Parts for Hammer Case

No.	Name of Parts	Per Set	Parts No.
H	Hammer Case Assy.	1set	0407 0401 01 99
H1	Hammer Case Assy.(1)	1	0407 0401 01 69
	(a) Hammer Case	1	* ↑
	(b) Core (A) Assy.	1set	* ↑
	(c) Core (B)	1	* ↑
	(d) Spacer (A)	1	* ↑
	(e) Core (C)	1	* ↑
	(f) Core (D) Assy.	1set	* ↑
	(g) Ball Bearing (8905ZZ)	1	9100 5013 00 00
	(h) Set Screw (M4x5)	1	9490 1008 00 00
	(i) Shrinkage Tube (φ1.5x9)	4	9390 5010 00 00
	(j) Micro Connector (OX-202)	4	8500 4001 00 00
	(k) Rock Nut (B)	1	0407 0819 00 02
	(l) Regulator Cap	1	0407 0204 00 00
	(m) O - Ring (N22)	1	9010 4011 00 00
	(n) Cover Plate	1	0407 0014 00 00
	(o) Cross Recessed Screw (M4x8)	4	9410 2004 00 00
H2	Main Shaft Assy.	1set	0407 0814 01 99
H3	Bearing Case	1	0407 0650 00 00
H4	Ball Bearing (8905ZZ)	1	9100 5013 00 00
H5	Hexagon Socket Bolt (M4x10)	3	8070 3007 00 00
6	Spacer	1	0407 0119 00 00
7	Washer (19.5x36x0.5)	1	8041 5032 00 00
8	Hexagon Socket Bolt (M6x18)	6	8070 3033 00 00
9	Spring Washer (M6)	6	9200 3006 00 00

Parts for YED-200-G

H'	Hammer Case Assy.	1set	0407 0401 01 35
H1'	Hammer Case (A) Assy.	1set	0407 0401 00 34
	(e) Hammer Case (A)	1	* ↑

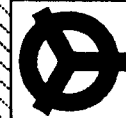
Standard Accessories

TF Pin (2x90)	1	8051 6001 00 00
Protector	1	0408 0028 00 00
S - Handle	1	0508 0411 00 00

Original Parts for Hanging Elbow

A2'	Silencer Assy.	1	0408 0053 00 98
	(a) Silencer Body (B)	1	* ↑
	(b) Silencer Cover	1	0408 0081 00 00
	(c) Silencer Sheet	1	0722 0032 00 00
	(d) Joint Ring	1	1105 0116 00 00
	(e) O - Ring (N20)	1	9010 4010 00 00
	Hanging Elbow	1	0408 0017 00 00

The part "*" can not be supplied individually.
 So please order it as a unit of assembly shown by
 arrow mark (↑).



YOKOTA EUROPA BV

P.O. BOX 392 NL-1000 AJ AMSTERDAM PHONE:020-6318900 FAX:020-6318908
 e-mail: info@impulsetools.com http://www.impulsetools.com
 Hydraulic Impuls Wrenches, Impact Wrenches, Drill, Sanders, Screw Drivers, Chippers, Sealers, Pumps