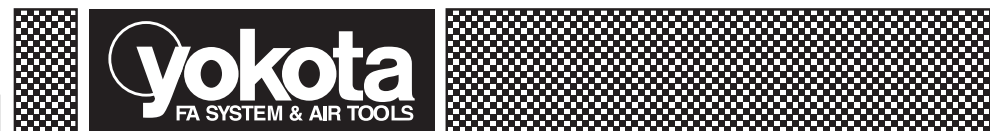


■Parts for Motor Case

No.	Name of Parts	Per Set	Parts No.
M	Motor Case Assy.	1set	0384 0011 00 99
M1	Motor Case (1) Assy.	1set	0384 0011 00 69
A1	Motor Case (2) Assy.	1set	0384 0011 00 68
	(a) Motor Case	1	* ↑
	Holder Assy.	1set	0355 0717 00 99
	(b) Holder	1	0168 0717 00 00
	Cable Assy.	1set	* ↑
	(c) Connector(R05-JB8M)	1	* ↑
	(d) Cable (820mm)	1	* ↑
	(e) Shrinkage Tube (W3B2 16/4 35mm)	1	* ↑
	(f) O-Ring (P8)	3	9010 1048 00 00
	(g) Washer (7.3×11.1×1.5)	2	8040 1151 00 00
	(h) Lock Bolt	1	0270 0666 00 00
	(i) Shrinkage Tube (W3B2 16/4 35mm)	1	9380 5014 00 00
	(j) Shrinkage Tube (φ 3×8)	1	9380 5036 00 00
	(k) Shrinkage Tube (φ 1.5×8)	9	9380 5028 00 00
	(l) Wire Red (150mm)	1	8521 3008 00 00
	(m) Wire Green (150mm)	1	8521 3009 00 00
	(n) Micro Connector (PM-60-7P)	1	8500 2005 00 00
	(o) Shrinkage Tube (φ 5×8)	1	9380 5035 00 00
	(p) Micro Connector (PM-10) 2 Cores	1	8500 2002 00 00
	(q) Cord Cover	1	0187 0948 00 00
A2	Spring Pin (8×12)	1	9250 1110 00 00
A3	Hose Joint Assy.	1set	0341 0113 00 99
	(a) Hose Joint	1	* ↑
	(b) Strainer	1	0259 0111 00 00
	(c) Washer (7.5×11×2)	1	8042 2008 00 00
A4	Exhaust Cover	1	0341 0016 00 00
A5	Silencer Sheet (A)	1	0412 0032 00 01
A6	Silencer Sheet (D)	1	0341 0032 00 04
A7	O-Ring (S14)	1	9010 4007 00 00
A8	O-Ring (S20)	1	9010 4010 00 00
A9	O-Ring (1×23.5×25.5)	1	9010 6044 00 00
A10	Throttle Assy.	1set	0341 0186 03 99
	(a) Throttle Bushing	1	0341 0104 00 00
	(b) O-Ring (0.7×21.5×22.9)	1	9010 6045 00 00
	(c) O-Ring (S20)	1	9010 4010 00 00
	Throttle Rod Bushing Assy.	1set	0341 0105 00 99
	(d) Throttle Rod Bushing	1	* ↑
	(e) O-Ring (P10)	1	9010 1054 00 00
	Throttle Rod Assy.	1set	0341 0106 02 99
	(f) Throttle Rod	1	0341 0106 02 00
	(g) O-Ring (0.5×3.7×4.7)	1	9010 6034 00 00
	(h) O-Ring (P4)	1	9010 1056 00 00
	(i) Snap Ring (ETW-2.8)	1	9040 5008 00 00
	(j) Reverse Valve	1	0341 0005 01 00
	(k) O-Ring (0.6×18×19.2)	1	9010 6046 00 00
	(l) O-Ring (S16)	1	9010 4009 00 00
	(m) Spring (3×4)	1	8020 1246 00 00
	(n) Ball (1/8)	1	9150 3009 00 00
	(o) Reverse Lever	1	0341 0007 00 00

The part "*" can not be supplied individually.
So please order it as a unit of assembly shown by arrow mark (↑).

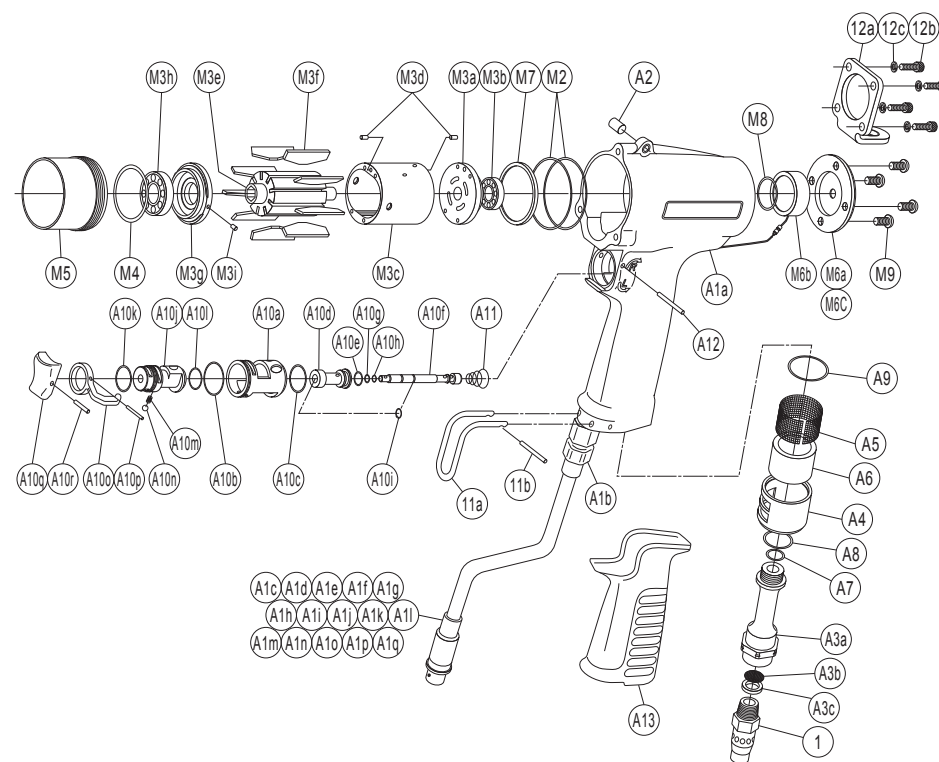
No.	Name of Parts	Per Set	Parts No.
	(p) Spring Pin (2×12)	1	9250 1015 00 00
	(q) Throttle Knob	1	0158 0153 00 00
	(r) Spring Pin (1.5×14)	1	9250 1005 00 00
A11	Conical Spring (5.24×7.6×7)	1	8020 3070 00 00
A12	Pin (2×28)	1	8055 1002 00 00
A13	Rubber Grip	1	0341 0144 00 00
M2	O-Ring (S60)	2	9010 4049 00 00
M3	Motor Assy.	1set	0343 0305 00 99
	Upper Plate Assy.	1set	0343 0303 00 99
	(a) Upper Plate	1	0343 0303 00 00
	(b) Ball Bearing (16002CM)	1	9102 1016 00 00
	Cylinder Assy.	1set	0343 0304 00 99
	(c) Cylinder	1	* ↑
	(d) Pin (2.5×6)	2	8055 1053 00 00
	(e) Rotor	1	0343 0305 00 00
	(f) Vane	9	0343 0306 01 00
	Lower Plate Assy.	1set	0343 0307 00 99
	(g) Lower Plate	1	0343 0307 00 00
	(h) Ball Bearing (6904CM)	1	9102 1017 00 00
	(i) Pin (2×5)	1	8055 1040 00 00
M4	ST-Packing (44.7×51.2×0.2)	1	8011 1112 00 00
M5	Lower Plate Spacer	1	0343 0311 01 00
M6	Motor Case Cover Assy.	1set	0343 0001 01 99
	(a) Motor Case Cover	1	0343 0001 01 00
	(b) Buzzer Assy.	1set	0181 0903 02 99
M7	Upper Plate Spacer	1	0343 0301 01 00
M8	O-Ring (0.8×32×33.6)	1	9010 6056 00 00
M9	Cross Recessed Screw (M5×8)	4	9410 2032 00 00
1	Touch Joint (1/4)	1	9690 0007 00 00
Parts for TKa1500-C			
MC	Motor Case Assy. (Lamp)	1set	0384 0011 00 98
M6C	Lamp Assy.	1set	0343 0959 00 99
Parts for TKa1500-Q			
MQ	Motor Case Assy. (1Step Throttle)	1set	0384 0011 00 97
M1Q	Motor Case (1) Assy. (1Step Throttle)	1set	0384 0011 00 67
A10Q	Throttle Assy. (1Step)	1set	0345 0186 00 96
	Throttle Rod Bushing Assy. (1Step)	1set	0345 0105 00 96
Optional Accessories			
11	Hanger (A) Assy.	1set	0341 0017 00 99
	(a) Hanger (A) Assy.	1	0341 0017 00 01
	(b) Spring Pin (3.5×22)	1	9250 1123 00 00
12	Hanger (B) Assy.	1set	0343 0017 00 98
	(a) Hanger (B)	1	0343 0017 00 02
	(b) Hexagon Socket Bolt (M5×18)	4	8070 3052 00 00
	(c) Spring Washer (M5)	4	9200 3005 00 00



With built-in torque sensor & angle sensor 2BLADE·SYSTEM WRENCH

MODELS (YES.No.)	TOOL No.
TKa1500 (00)	0384 0000 0000
TKa1500-C (00)	0384 0000 0003
TKa1500-Q (00)	0384 0000 0081

■Exploded View of Motor Case



YOKOTA INDUSTRIAL CO.,LTD.

Parts for Liner Case

No.	Name of Parts	Per Set	Parts No.
L	Liner Case Assy.	1set	0343 0422 00 99
L1	Liner Case	1	0343 0422 00 00
L2	O-Ring (1.5×49×52)	1	9010 6057 00 00
L3	Liner Cap	1	0343 0423 00 00
L4	Liner Upper Plate	1	0343 0424 00 00
L5	O-Ring (S44)	1	9010 4020 00 00
L6	Liner Assy.	1set	0343 0425 00 99
	(a) Liner	1	※ ↑
	(b) Pin (4×5)	4	8052 1051 00 00
L7	Relief Valve	1	0343 0245 00 00
L8	Pin FF (2×4.8)	1	8051 1037 00 00
L9	Liner Shaft	1	0343 0796 00 00
L10	Blade	2	0343 0719 01 00
L11	Spring (3.9×51.5)	2	8020 1360 00 00
L12	Liner Lower Plate Assy.	1set	0343 0426 00 99
	(a) Liner Lower Plate	1	※ ↑
	(b) Pin (4×5)	1	8052 1051 00 00
L13	Adjust Bolt	1	0181 0522 00 00
L14	O-Ring (N2)	1	9010 4001 00 00
L15	Back-up Ring (N2)	1	9090 2001 00 00
L16	Nylon Bushing	1	0181 0431 00 00
L17	Oil Plug	2	0181 0010 00 00
L18	O-Ring (N2)	2	9010 4001 00 00
L19	O-Ring (P18)	1	9011 7002 00 00
L20	Back-up Ring (18×21.8×1)	1	9090 1030 00 00
2	Washer (18×28×3.3)	1	8040 1168 00 00
★ 3	Washer (16.5×29×0.2)	1	8041 5068 00 00
★ 4	Washer (16.5×29×0.3)	1	8041 5059 00 00
★ 5	Washer (16.5×29×0.4)	1	8041 5069 00 00
★ 6	Washer (16.5×29×0.5)	1	8041 5058 00 00

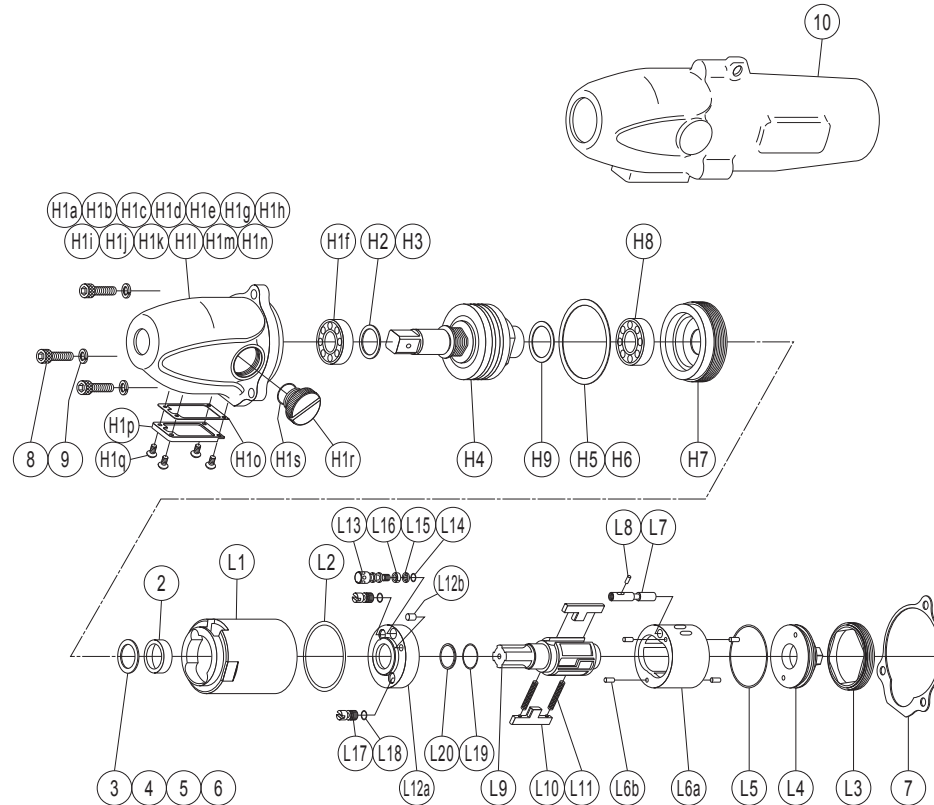
The part "※" can not be supplied individually.
So please order it as a unit of assembly shown by arrow mark (↑).

★Marked parts may not be used, in some case.

With built-in torque sensor & angle sensor 2BLADE·SYSTEM WRENCH

MODELS (YES.No.)	TOOL No.
TKa1500 (00)	0384 0000 0000
TKa1500-C (00)	0384 0000 0003
TKa1500-Q (00)	0384 0000 0081

Exploded View of Liner Case and Hammer Case



Parts for Hammer Case

No.	Name of Parts	Per Set	Parts No.
H	Hammer Case Assy.	1set	0384 0401 01 99
H1	Hammer Case (1) Assy.	1	0384 0401 00 69
	(a) Hammer Case	1	※ ↑
	(b) Core (A) Assy.	1set	※ ↑
	(c) Core (C)	2	※ ↑
	(d) Spacer (A)	1	※ ↑
	(e) Core (D) Assy.	1set	※ ↑
	(f) Ball Bearing (6903ZZ)	1	※ ↑
	(g) Set Screw (M4×5)	1	※ ↑
	(h) Sensor Base	1	※ ↑
	(i) MR Sensor Circuit Board Assy.	1set	※ ↑
	(j) Print Circuit Board (Angle)	1	※ ↑
	(k) Insulate Sheet	1	※ ↑
	(l) Screw (M3×5)	2	※ ↑
	(m) Micro Connector (SY-006) 7 Cores	1	※ ↑
	(n) Micro Connector (PM-60-7P) 7 Cores	1	※ ↑
	(o) S-Packing	1	0355 0003 00 00
	(p) Cover Plate	1	0355 0014 00 00
	(q) Screw (M3×6)	4	9410 2039 00 00
	(r) Regulator Cap	1	0181 0204 00 00
	(s) O-Ring (S10)	1	9010 4004 00 00
★H2	ST-Packing (17.5×21.5×0.1)	1	8011 1083 00 00
★H3	ST-Packing (17.5×21.5×0.2)	1	8011 1062 00 00
H4	Main Shaft Assy.	1set	0357 0614 0299
★H5	C-Packing (43×46.5×0.1)	1	8010 1197 00 00
★H6	C-Packing (43×46.5×0.2)	1	8010 1195 00 00
H7	Bearing Case	1	0341 0650 02 00
H8	Ball Bearing (6804ZZ)	1	9100 5029 00 00
H9	ST-Packing (20×26×0.5)	1	8011 1165 00 00
7	S-Packing	1	0343 0003 00 00
8	Hexagon Socket Bolt (M5×18)	3	8070 3052 00 00
9	Spring Washer (M5)	3	9200 3005 00 00
Standard Accessories			
	TF Pin (2×90)	1	8051 6001 00 00
	Hanger Ring	1	0341 0018 00 00
10	Protector	1	0384 0029 00 00
Optional Accessory			
10'	Protector (D)	1	0384 0029 00 04

The part "※" can not be supplied individually.
So please order it as a unit of assembly shown by arrow mark (↑).

★Marked parts may not be used, in some case.