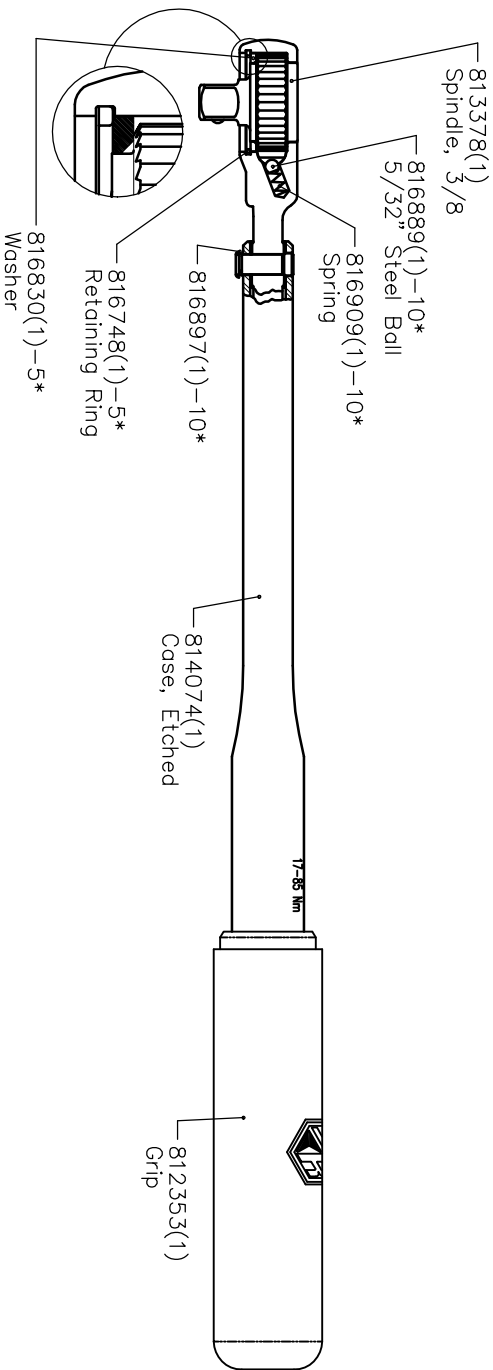
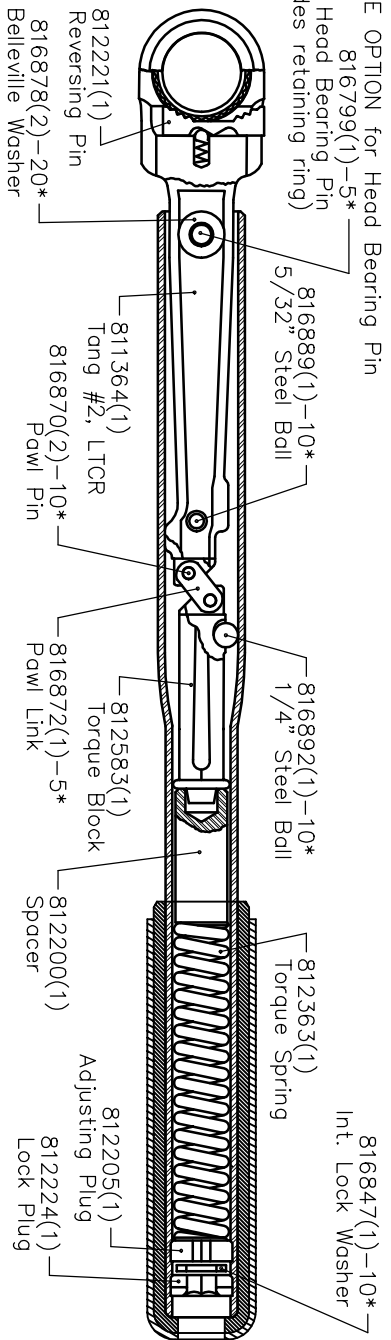
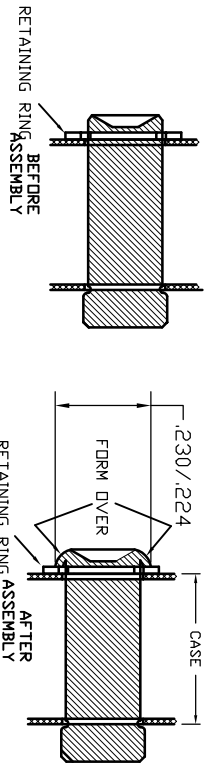


SEE OPTION for Head Bearing Pin
 816799(1)-5*
 Head Bearing Pin
 (includes retaining ring)



816799—THIS PIN IS FORMED OVER CUSTOMER MUST GRIND OFF FORMED END & INSTALL THIS PIN FORMING THE HEAD OVER THE RETAINING RING AS SHOWN.



857045—Instruction Sheet.

816958—Ratchet Renewal Kit (Includes Spindle, Reversing Pin, Washer, Retaining Ring, Spring, & Ball)
 811368—Ratchet Tang Ass'y. (Includes Ratchet Renewal Kit & Tang)

LEGEND: () = Quantity/Tool

* = Quantity/Multi-Pak



STURTEVANT RICHMOND
 TORQUE MEASUREMENT SYSTEMS
 DIVISION OF RYERSON CORPORATION

THIS PRINT AND ALL INFORMATION APPEARING THEREON IS THE PROPERTY OF STURTEVANT/RICHMOND. NEITHER THE PRINT NOR THE INFORMATION THEREON MAY BE REPRODUCED OR USED IN ANY MANNER WHATSOEVER BY ANY OTHER PERSON UNLESS SPECIFICALLY AUTHORIZED BY STURTEVANT/RICHMOND.

PART DESCRIPTION
 LTCR 7501 3/8" (IN./LBS)

DIAGRAM NO. & REV.
 810055-J