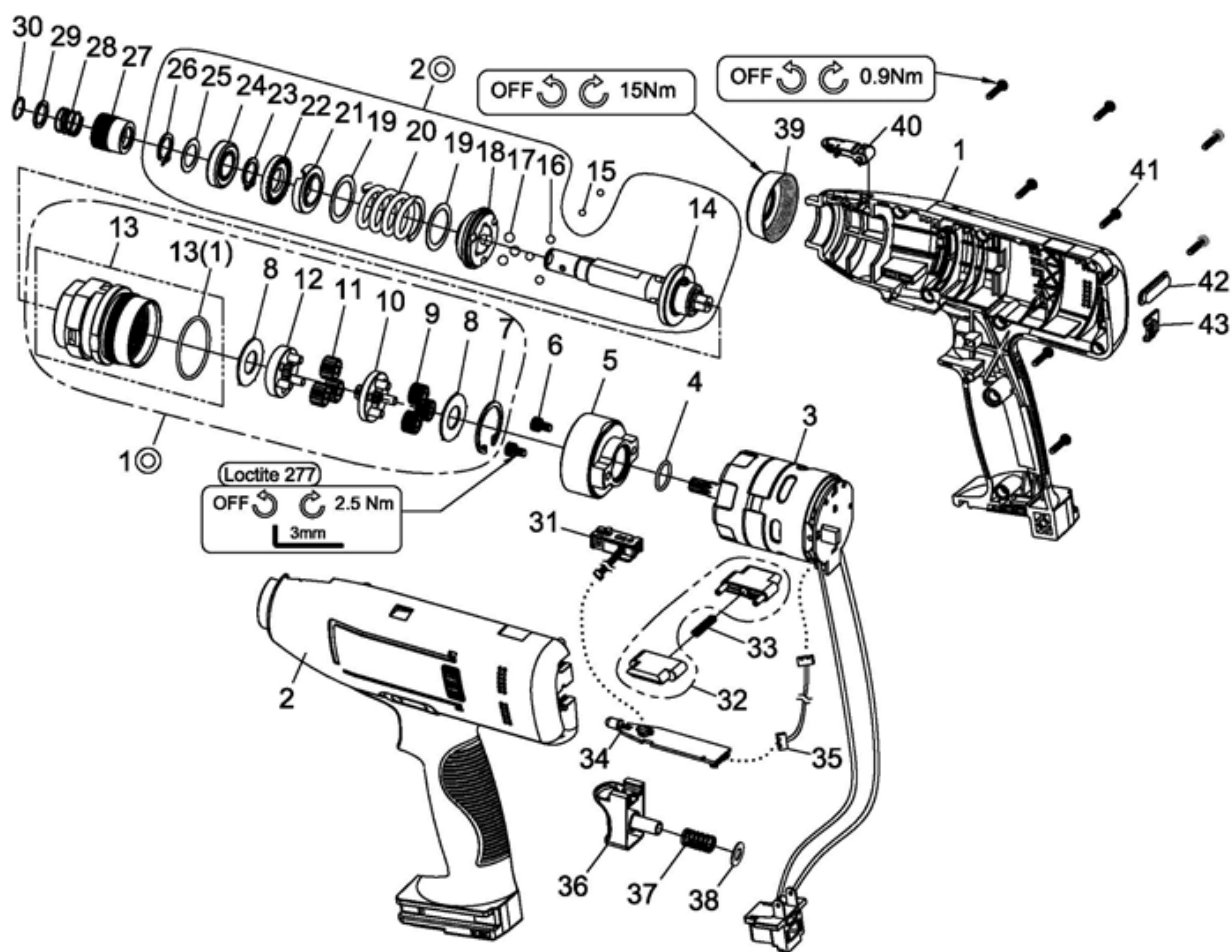


RRI-BS9H2 CORDLESS SHUT OFF SCREWDRIVER

Edition A



Index No.	Part No.	Description	Q'ty
1	33101-SCEP-01	Upper Housing	1
2	33102-SCEP-01	Lower Housing	1
3	B83SC9	Brushless Motor ;w/driver	1
4	000-4110	O-Ring (Ø16 x Ø1.5)	1
5	D51SC108B	Motor Holder	1
6	000-0243	Screw (M4 x 6L)	2
1⊙	B50SC180B9-2	Gear Box Units	1
7	000-31261	Retaining Ring (IRTW-26)	1
8	D39SC180B-4	Washer	2
9	D49SC108B-9	Planet Gear	3
10	B51SC180B9-B	Gear Cage Assembly	1
11	D49SC108B-8B	Planet Gear	3
12	B51SC180B-5	Gear Plate Assembly	1
13	B50SC180B-1	Gear Box Assembly	1
	000-4117	(1) O-Ring (Ø24 x Ø1,5)	1*
2⊙	32043-SCEP-09H2-01	Clutch Units	1
14	32029-SCEP-01	Clutch Assembly	1
16	000-3842	Steel Ball (Ø4)	3
17	000-3852	Steel Ball (Ø5)	3
18	33239-SCEP-01	Washer	1
19	D39SC180B-3	Washer	2
20	D48SC108B-3	Spring (Yellow)	1
21	D39SC108B-2	Adjust Washer	1

Index No.	Part No.	Description	Q'ty
22	D54SC108B	Adjust Nut	1
23	000-3012	Snap Ring (STW-12)	1
24	000-2305	Ball Bearing (6901)	1
25	D39IW144A	Washer	1
26	000-3011	Snap Ring (STW-11)	1
15	000-3833	Steel Ball (Ø3)	2
27	D42ID144A	Quick Change Holder	1
28	D48ID144A	Spring	1
29	D39ID144A	Hold Spacer	1
30	D44ID144A	Anvil Collar	1
31	B75SC	Sensor Assembly	1
32	B09PW15-1#B1	F/R Valve (1set x 2pcs)	1
33	D48PW15-1	Spring	1
34	E76SC	PC Board	1
35	B86PW35	Connector Wire	1
36	B09PW15#B1	Trigger Assembly	1
37	D48PW15	Spring	1
38	C39PW15-3	Washer	1
39	D54SC#BV	Lock Nut	1
40	C10SC108B-2#B1	Cover	1
41	000-0930	Screw (Ø3 x 14L)	8
42	33110-SCEP-01	Cover	1
43	33110-SCEP-02	Cover	1