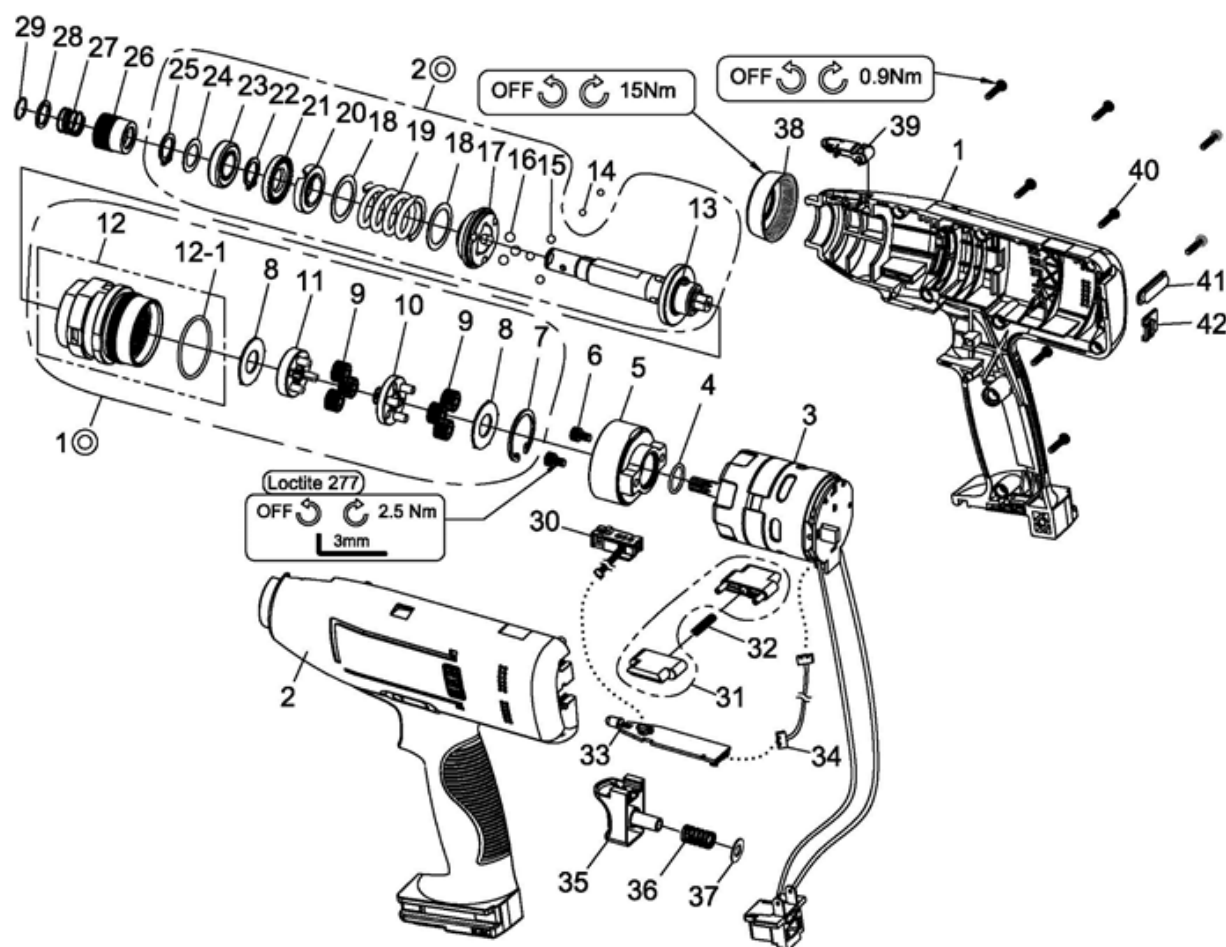


RRI-BS6H2 CORDLESS SHUT OFF SCREWDRIVER

Edition A



Index No.	Part No.	Description	Q'ty
1	33101-SCEP-01	Upper Housing	1
2	33102-SCEP-01	Lower Housing	1
3	B83SC6	Brushless Motor ;w/driver	1
4	000-4110	O-Ring (216x21.5)	1
5	D51SC108B	Motor Holder	1
6	000-0243	Screw(M4x6L)	2
1⊙	B50SC180B6-2	Gear Box Units	1
7	000-3126I	Retaining Ring (IRTW-26)	1
8	D39SC180B-4	Washer	2
9	D49SC108B-9	Planet Gear	6
10	B51SC180B6-B	Gear Cage Assembly	1
11	B51SC180B-6	Gear Plate Assembly	1
12	B50SC180B-1	Gear Box Assembly	1
	000-4117	(1) O-Ring (Ø24 x Ø1,5)	1*
2⊙	32043-SCEP-06H2-01	Clutch Units	1
13	32029-SCEP-01	Clutch Assembly	1
15	000-3842	Steel Ball (Ø4)	3
16	000-3852	Steel Ball (Ø5)	3
17	33239-SCEP-01	Washer	1
18	D39SC180B-3	Washer	2
19	33248-SCCP-01	Spring (Red)	1
20	D39SC108B-2	Adjust Washer	1
21	D54SC108B	Adjust Nut	1

Index No.	Part No.	Description	Q'ty
22	000-3012	Snap Ring (STW-12)	1
23	000-2305	Ball Bearing (6901)	1
24	D39IW144A	Washer	1
25	000-3011	Snap Ring (STW-11)	1
14	000-3833	Steel Ball (Ø3)	2
26	D42ID144A	Quick Change Holder	1
27	D48ID144A	Spring	1
28	D39ID144A	Hold Spacer	1
29	D44ID144A	Anvil Collar	1
30	B75SC	Sensor Assembly	1
31	B09PW15-1#B1	F/R Valve (1 set x 2 pcs)	1
32	D48PW15-1	Spring	1
33	E76SC	PC Board	1
34	B86PW35	Connector Wire	1
35	B09PW15#B1	Trigger Assembly	1
36	D48PW15	Spring	1
37	C39PW15-3	Washer	1
38	D54SC#BV	Lock Nut	1
39	C10SC108B-2#B1	Cover	1
40	000-0930	Screw (Ø3 x 14L)	8
41	33110-SCEP-01	Cover	1
42	33110-SCEP-02	Cover	1