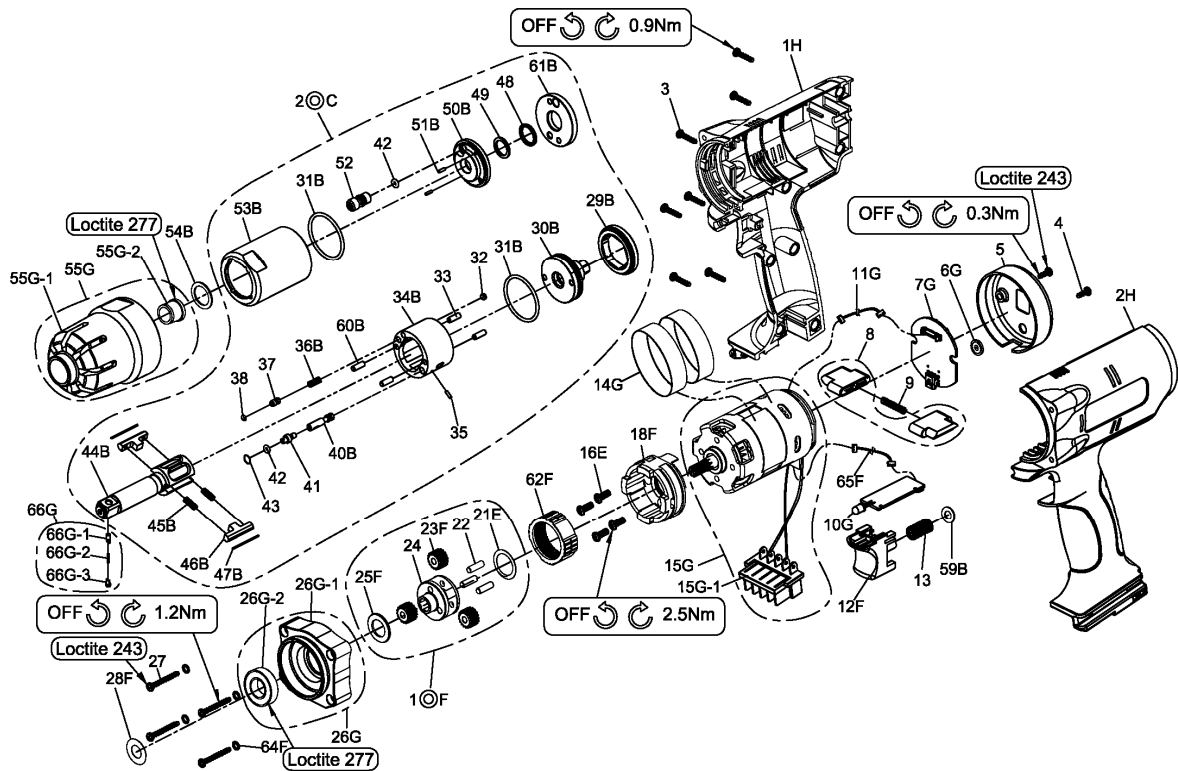


RRI-BIM35T CORDLESS SHUT OFF IMPULSE TOOL



Edition: H

| Index No | Part No. | Description | Q'ty |
|----------|---------------|---------------------------|------|
| 1H | 32001-PWAP(L) | Upper Housing | 1 |
| 2H | 32002-PWAP(L) | Lower Housing | 1 |
| 3 | 000-0930 | Screw (φ 3x14L) | 7 |
| 4 | 000-0831 | Screw (φ 3x8L) | 2 |
| 5 | C10PW15#W2 | Cover | 1 |
| 6G | C09PW15-3#W2 | Button | 1 |
| 7G | E76PW15-1 | LED Indicator Board | 1 |
| 8 | B09PW15-1#B1 | F/R Valve (1setx2pcs) | 1 |
| 9 | D48PW15-1 | Spring | 1 |
| 10G | B761WT | PC Board | 1 |
| 11G | B86PW15 | Connector Wire | 1 |
| 12F | B09PW#B1 | Trigger Assembly | 1 |
| 13 | D48PW15 | Spring | 1 |
| 14G | C39PW15-C | Ring | 2 |
| 15G | B83PW35-1 | Brushless Motor ;w/driver | 1 |
| | (1)C06180C#B1 | Connector | 1 |
| 16E | 000-1341C | Screw | 4 |
| 18F | B50PW15-1B | Gear Box Assembly | 1 |
| 1⊙F | B51PW35-B | Gear Cage Assembly | 1 |
| 21E | D39PW15-1B | Washer | 1 |
| 22 | 000-3440 | Pin | 3 |
| 23F | D49PW45-1 | Planet Gear | 3 |
| 24 | D51PW35 | Gear Cage | 1 |
| 25F | D39PW15-B | Washer | 1 |
| 26G | B52PW15#BW | Housing Cover Assembly | 1 |
| | (1)D52PW15#BW | Housing Cover | 1* |
| | (2)000-2338 | Ball Bearing(6902-2RS) | 1* |
| 27 | 000-0840 | Screw (φ 4x25L) | 4 |
| 28F | D39PW15-4 | Washer | 1 |
| 2⊙C | BI70-400ASM | Pulse unit | 1 |
| 29B | I70-402 | Lock Nut | 1* |
| 30B | I70-415 | Rear Plate | 1* |
| 31B | 00-41160 | O-Ring | 2* |
| 32 | I40S-454 | Block Cap | 1* |

| Index No | Part No. | Description | Q'ty |
|----------|-------------------------|----------------------|------|
| 33 | 00-3407 | Pin | 2* |
| 34B | I70-404-B | Pulse Cylinder | 1* |
| 35 | 00-3436 | Pin | 1* |
| 60B | 00-3435 | Pin | 2* |
| 36B | I70S-453 | Spring | 1* |
| 37 | IS40S-421 | Pressure Valve | 1* |
| 38 | 00-41173 | O-Ring | 1* |
| 40B | D55PW25 | Valve | 1* |
| 41 | I80-411 | Valve Screw | 1* |
| 42 | 00-41113 | O-Ring | 2* |
| 43 | I80-422 | Back Up Ring | 1* |
| 44B | I70-405-B | Anvil | 1* |
| 45B | I70-407 | Spring | 2* |
| 46B | I70-406-B | Drive Blade | 2* |
| 47B | I70-452 | Roller | 2* |
| 61B | I70-408 | Front Plate | 1* |
| 48 | 00-2602 | X-Ring | 1* |
| 49 | I70-409 | Back Up Ring | 1* |
| 50B | I70-403 | Front Cover | 1* |
| 51B | 00-3318 | Spring Pin | 2* |
| 52 | I70-410 | Greasing Screw | 1* |
| 53B | I70-401 | Pulse Cylinder Seat | 1* |
| 54B | I40S-424 | Washer | 1 |
| | B41PW35#BW | Front Cover Assembly | 1 |
| 55G | (1)D41PW35#BW | Front Cover | 1* |
| | (2)I40S-202 | Bushing | 1* |
| 59B | C39PW15-3 | Washer | 1 |
| 62F | D49PW35-2 | Gear Ring | 1 |
| 64F | 000-1840 | Spring Washer | 4 |
| 65F | B86PW-2 | Connector Wire | 1 |
| | 420-04183-11 | Pin Retainer | 1 |
| 66G | (1)430-SW40-283-0462-11 | Upper Pin | 1 |
| | (2)430-SW40-283-0464-10 | Spring | 1 |
| | (3)430-SW40-283-0463-11 | Lower Pin | 1 |