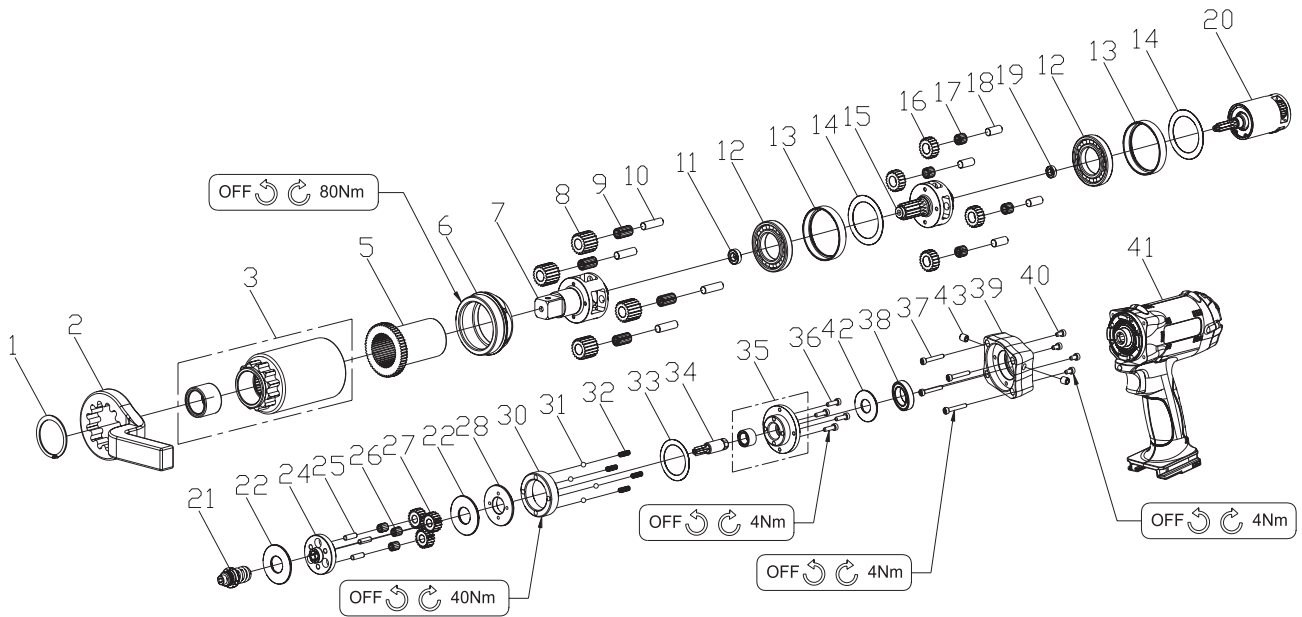
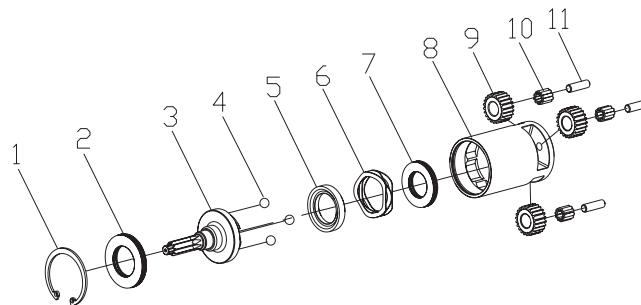


# RRI-BEC250S GEAR WRENCH



Index No	Part No	Description	Q'ty
1	0-311023	C type Retainer Ring (S-55)	1
2	33257-GWC250H-02	Reaction Bar	1
3	32049-GWC250H-01	Internal Gear Assembly	1
5	33249-GWC250H-04	Internal Gear	1
6	33254-GWC250H-01	Lock Nut	1
7	33251-GWC250H-02	Gear Cage	1
8	33249-GWC250H-05	Planet Gear	4
9	0-511014	Pin (ø2x24.8L)	72
10	33255-013	Pin (ø10x35L)	4
11	0-201039	Ball Bear. (6802-2RS / ø24xø15x5T)	1
12	0-201104	Ball Bear. (6908ZZ / ø62xø40x12T)	2
13	33242-GWC250H-01	Bushing	2
14	0-198001	Spiral Retaining Ring (DNH-68)	2
15	33251-GWC250H-03	Gear Cage Seat	1
16	33249-GWC250H-06	Planet Gear	4
17	0-511009	Pin (ø2x12L)	72
18	33255-012	Pin (ø10x24L)	4
19	0-201011	Ball Bearing (688ZZ / ø16xø8x5T)	1
20	32049-GWC250-01	Clutch Gear Assembly	1
21	32029-GWC090-01	Clutch Assembly	1

Index No	Part No	Description	Q'ty
22	33239-GWC090H-03	Washer (43x18x2t)	2
24	33251-GWC250H-01	Gear Plate	1
25	0-511168	Pin (ø5x17L)	3
26	0-511107	Pin (ø1.5x10L)	39
27	33249-GWC250H-02	Planet Gear	3
28	33251-GWC090H-03	Rotatry Seat	1
30	33254-GWC090H-01	Lock Nut	1
31	0-521010	Steel Ball (ø5)	4
32	1100-507	Spring	4
33	33239-GWC090H-01	Washer (45x33x0.5t)	1
34	33249-GWC250H-01	Central Gear	1
35	32051-GWC090H-01	Fixing Seat Assembly	1
36	0-101071	Cap Screw (M4xP0.7x16L)	4
37	0-101008	Cap Screw (M4xP0.7x25L)	4
38	0-201058	Ball Bear. (6804ZZ /ø32xø20x7T)	1
39	33252-GWC090H-01	Housing Cover	1
40	0-101005	Cap Screw (M4xP0.7x6L)	4
41	32098-GWC250H-01	Motor Housing Assembly	1
42	33239-GWC090H-04	Washer (31.9x25x2.5t)	1
43	140S-108	Bushing	2

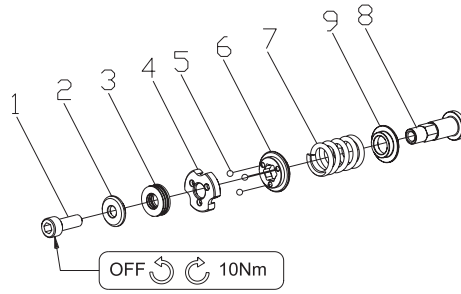


## Clutch Gear Assembly

Index No	Part No	Description	Q'ty
1	0-321024	C type Retainer Ring (R39)	1
2	0-231013	Thrust Needle Bear. (NTA1625+2AS)	1
3	33249-GWC250H-03	Clutch Central Gear	1
4	0-521046	Steel Ball (ø8)	3
5	33251-GWC090H-05	Steel Ball Seat	1
6	0-197001	Wave Spring (35x27x8.38)	1

Index No	Part No	Description	Q'ty
7	0-231012	Thrust Needle Bear. (NTB2035+2AS)	1
8	33251-GWC090H-04	Clutch Gear	1
9	33249-GWC090H-06	Planet Gear	3
10	0-511161	Pin (ø1.5x11.8L)	51
11	0-511170	Pin (ø7x22L)	3

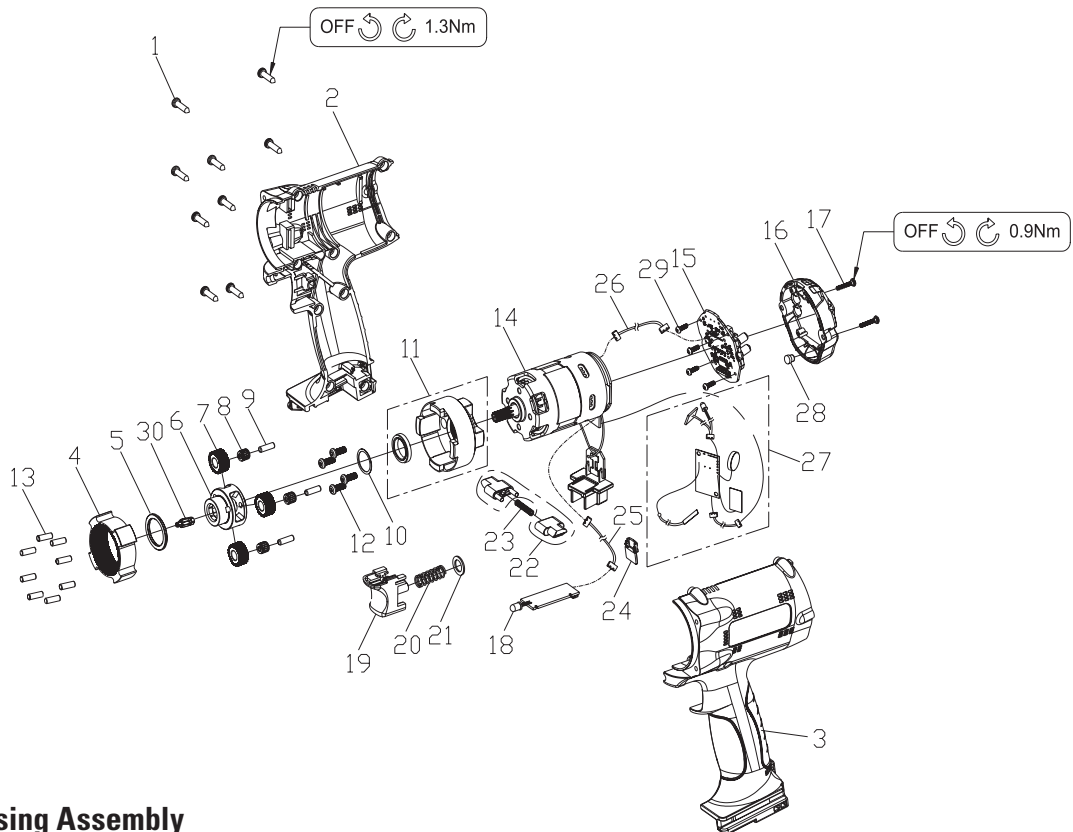
# RRI-BEC250S GEAR WRENCH



## Clutch Assembly

Index No	Part No	Description	Q'ty
1	0-101062	Cap Screw (M6xP1x12L)	1
2	33239-GWC090H-02	Washer (6x16x2.15)	1
3	0-241003	Thrust Ball Bearing (CRT8-16)	1
4	33229-GWC090H-01	Upper Clutch Unit	1
5	0-521005	Steel Ball (ø3)	3

Index No	Part No	Description	Q'ty
6	33229-GWC090H-02	Lower Clutch Unit	1
7	33248-GWC090H-01	Spring	1
8	33254-GWC090H-03	Clutch Bolt	1
9	33251-GWC090H-08	Spring Seat	1



## Motor Housing Assembly

Index No	Part No	Description	Q'ty
1	0-151020	Self-Tapping Screw (M4x16L)	9
2	33101-GWC090H-01	Upper Housing	1
3	32602-GWC090H-02	Lower Housing	1
4	33249-GWC-01	Gear Ring	1
5	33239-PWAP-04	Washer	1
6	33251-GWC090H-07	Gear Cage	1
7	33249-PWAP-09	Planet Gear (23T(Rohs))	3
8	0-211003	Needle Bearing (KT-477)	3
9	0-511050	Pin (ø4x12.8L)	3
10	33239-PWAP-02B	Washer (ø15.1xø18.5x0.3t)	1
11	32050-PWAP-03	Gear Box Assembly	1
12	0-121005	Cap Screw (M4xP0.7x10L)	4
13	0-511050	Pin (ø4x12.8L)	8
14	32083-GWC250-02	Brushless Motor	1
15	32076-GWC025-02	LCM Board Assembly	1

Index No	Part No	Description	Q'ty
16	33110-NPA-03	Cover	1
17	0-152001	Self-Tapping Screw (ø3x14L)	2
18	32076-NPA-02	PC Board	1
19	B09PW#B1	Trigger Assembly	1
20	D48PW15	Spring	1
21	C39PW15-3	Washer	1
22	B09IWT#B1	F/R Valve (1set x 2pcs)	1
23	D48IWT	Spring	1
24	33110-NPA-02	Cover	1
25	B86IWT	Connector Wire	1
26	B86PW35	Connector Wire	1
27	32076-GWC-01	PCB-Storage	1
28	33109-GWC-01	Safety Button	1
29	0-151018	Self-Tapping Screw	4
30	33249-GWC090H-05	Central Gear	1