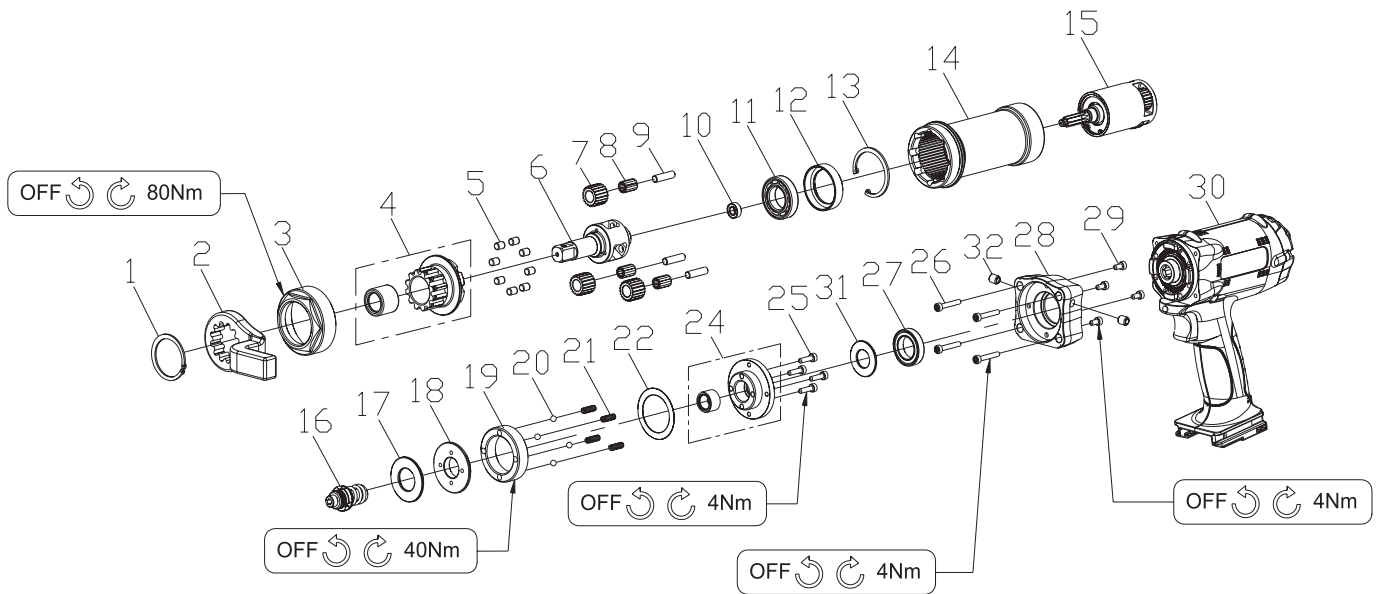
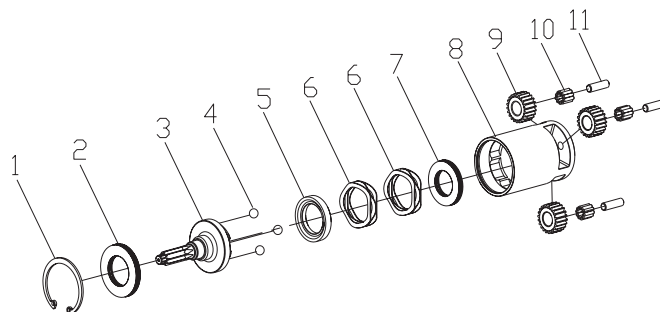


RRI-BEC025S GEAR WRENCH



Index No	Part No	Description	Q'ty
1	0-311024	C type Retainer Ring (S35)	1
2	33257-GWC025H-01	Reaction Bar	1
3	33254-GWC025H-01	Lock Nut	1
4	32051-GWC025H-01	Connecting Holder Assembly	1
5	0-511171	Pin (ø6x8L)	8
6	33251-GWC025H-01	Gear Cage	1
7	33249-GWC025H-01	Planet Gear	3
8	0-511011	Pin (ø2x15L)	36
9	33255-011	Pin (ø6x23L)	3
10	0-201098	Ball Bearing (686ZZ / ø13xø6x5T)	1
11	0-201059	Ball Bear. (6904ZZ / ø37xø20x9T)	1
12	33242-GWC025H-01	Bushing	1
13	0-321023	C type Retainer Ring (R40)	1
14	33249-GWC025H-05	Internal Gear	1
15	32049-GWC025-01	Clutch Gear Assembly	1
16	32029-GWC055-01	Clutch Assembly	1

Index No	Part No	Description	Q'ty
17	33239-GWC055H-01	Washer (39.5x20x2t)	1
18	33251-GWC090H-03	Rotary Seat	1
19	33254-GWC090H-01	Lock Nut	1
20	0-521010	Steel Ball (ø5)	4
21	1100-507	Spring	4
22	33239-GWC090H-01	Washer (45x33x0.5t)	1
24	32051-GWC090H-01	Fixing Seat Assembly	1
25	0-101071	Cap Screw (M4xP0.7x16L)	4
26	0-101008	Cap Screw (M4xP0.7x25L)	4
27	0-201058	Ball Bear. (6804ZZ / ø32xø20x7T)	1
28	33252-GWC090H-01	Housing Cover	1
29	0-101005	Cap Screw (M4xP0.7x6L)	4
30	32098-GWC025H-01	Motor Housing Assembly	1
31	33239-GWC090H-04	Washer (31.9x25x2.5t)	1
32	140S-108	Bushing	2

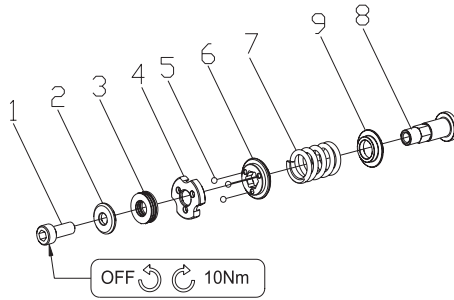


Clutch Gear Assembly

Index No	Part No	Description	Q'ty
1	0-321013	C type Retainer Ring (R35)	1
2	0-231012	Thrust Needle Bear. (NTB2035+2AS)	1
3	33249-GWC025H-02	Clutch Central Gear	1
4	0-521014	Steel Ball (ø6)	3
5	33251-GWC025H-04	Steel Ball Seat	1
6	0-197002	Wave Spring (30x24x7.62)	2

Index No	Part No	Description	Q'ty
7	0-231011	Thrust Needle Bear. (NTB1730+2AS)	1
8	33251-GWC025H-02	Clutch Gear	1
9	33249-GWC025H-03	Planet Gear	3
10	0-511092	Pin (ø2x9.8L)	30
11	0-511167	Pin (ø5x18L)	3

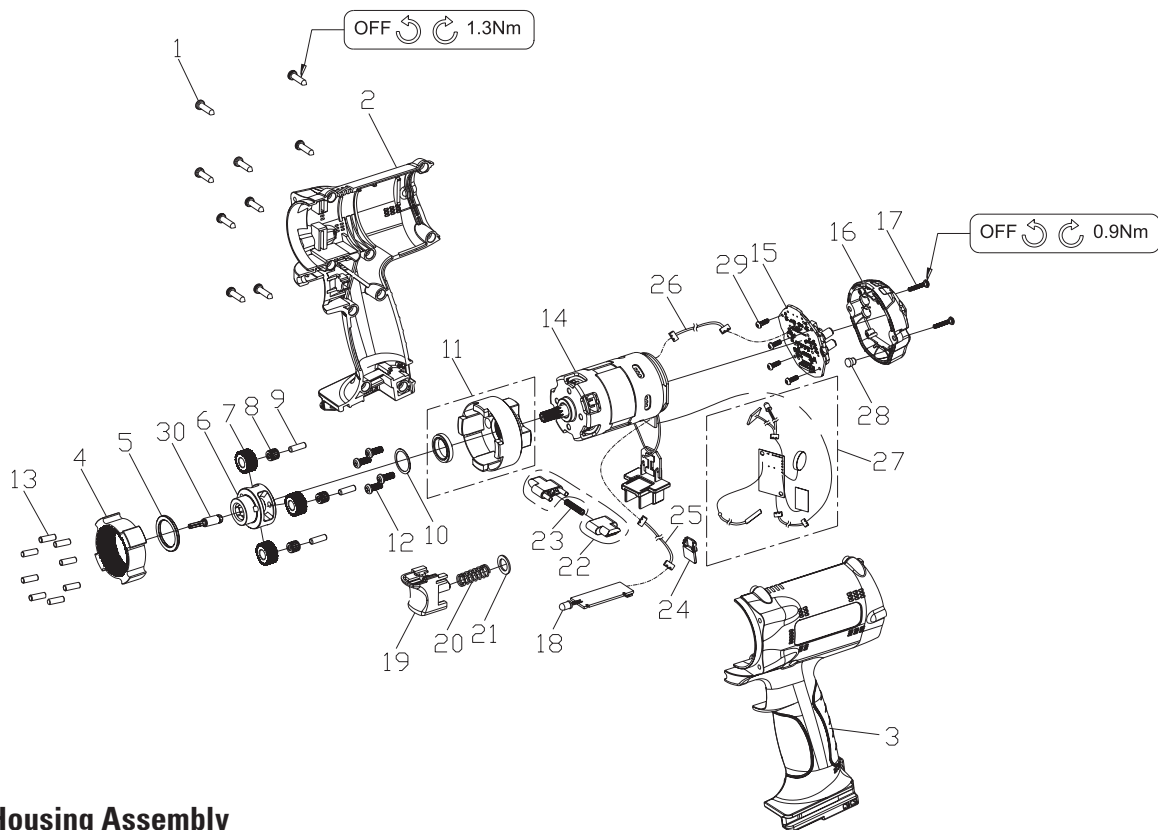
RRI-BEC025S GEAR WRENCH



Clutch Assembly

Index No	Part No	Description	Q'ty
1	0-101062	Cap Screw (M6xP1x12L)	1
2	33239-GWC090H-02	Washer (6x16x2.15)	1
3	0-241003	Thrust Ball Bearing (CRT8-16)	1
4	33229-GWC055H-01	Upper Clutch Unit	1
5	0-521005	Steel Ball (ø3)	3

Index No	Part No	Description	Q'ty
6	33229-GWC090H-02	Lower Clutch Unit	1
7	33248-GWC055H-01	Spring	1
8	33254-GWC090H-03	Clutch Bolt	1
9	33251-GWC055H-05	Spring Seat	1



Motor Housing Assembly

Index No	Part No	Description	Q'ty
1	0-151020	Self-Tapping Screw (M4x16L)	9
2	33101-GWC090H-01	Upper Housing	1
3	32602-GWC090H-02	Lower Housing	1
4	33249-GWC-01	Gear Ring	1
5	33239-PWAP-04	Washer	1
6	33251-GWC090H-07	Gear Cage	1
7	33249-PWAP-09	Planet Gear (23T(Rohs))	3
8	0-211003	Needle Bearing (KT-477)	3
9	0-511050	Pin (ø4x12.8L)	3
10	33239-PWAP-02B	Washer (ø15.1xø18.5x0.3t)	1
11	32050-PWAP-03	Gear Box Assembly	1
12	0-121005	Cap Screw (M4xP0.7x10L)	4
13	0-511050	Pin (ø4x12.8L)	8
14	32083-GWC025-02	Brushless Motor	1
15	32076-GWC025-02	LCM Board Assembly	1

Index No	Part No	Description	Q'ty
16	33110-NPA-03	Cover	1
17	0-152001	Self-Tapping Screw (ø3x14L)	2
18	32076-NPA-02	PC Board	1
19	B09PW#B1	Trigger Assembly	1
20	D48PW15	Spring	1
21	C39PW15-3	Washer	1
22	B09IWT#B1	F/R Valve (1set x 2pcs)	1
23	D48IWT	Spring	1
24	33110-NPA-02	Cover	1
25	B86IWT	Connector Wire	1
26	B86PW35	Connector Wire	1
27	32076-GWC-01	PCB-Storage	1
28	33109-GWC-01	Safety Button	1
29	0-151018	Self-Tapping Screw	4
30	33249-GWC025H-04	Central Gear	1