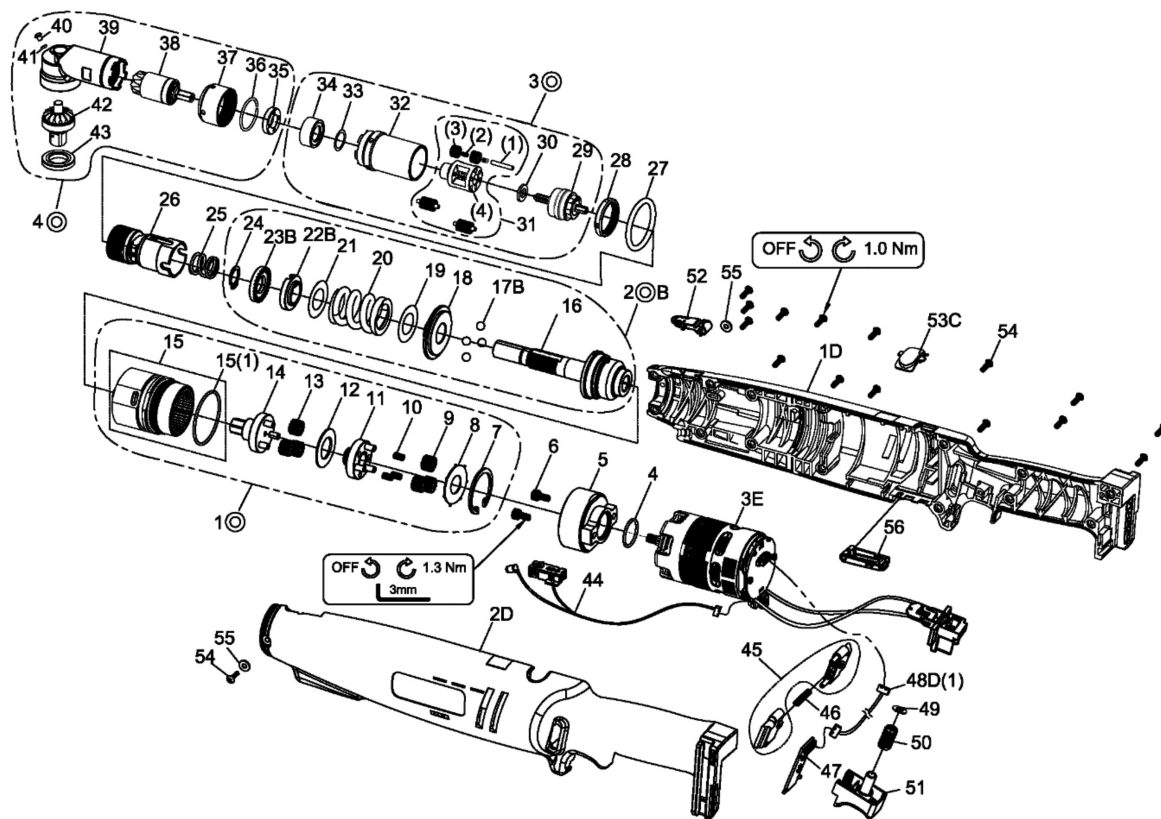


RRI-BA70S4 CORDLESS ANGLE WRENCH



Index No.	Part No.	Description	Quantity
1D	32001-WRCA(L)	Upper Housing	1
2D	32002-WRCA(L)	Lower Housing	1
3E	B83WR70	Brushless Motor Assembly; w/driver	1
4	000-4110	O-Ring (ø16×ø1.5)	1
5	D51SC108B	Motor Holder	1
6	000-0242	Screw (M4×8L)	2
1⊙	B50WRB70	Gear Box Units	1
7	000-3128	Snap Ring (RTW-28)	1
8	D39WR	Washer	1
9	D49WRB-13	Planet Gear	3
10	000-2415	Needle Bearing	3
11	B51WRB-8	Gear Cage Assembly	1
12	D39WR-8	Washer	1
13	D49WR-10	Planet Gear	3
14	B51WR-11	Gear Plate Assembly	1
15	B50WR	Gear Box Assembly	1
	(1)000-4118	(1) O-Ring (ø28×ø1.5)	1
2⊙B	B43WRB70	Clutch Units	1
16	B29WRB	Clutch Assembly	1
17B	000-3854	Steel Ball (7/32")	4
18	D39WR-1	Washer	1
19	D39WR-7	Washer	1
20	D48WR-2	Spring (Yellow)	1
21	D39WR-5	Washer (White)	1
22B	D39WR-3	Adjust Washer	1
23B	D54WR-3	Adjust Nut	1
24	000-3012I	Snap Ring (ISTW-12)	1
25	D48WR	Spring	1
26	B51WRB70-3	Connecting Holder Assembly	1
27	000-4120W	Marking Ring (P32,White)	1
28	D54WRB-3#BZ	Adjust Nut	1

Index No.	Part No.	Description	Quantity
3⊙	B49WRB70-2	Gear Ring Units	1
29	B51WRB70-2	Sun Gear Assembly	1
30	D39WRB-5	Washer	1
31	B51WRB70	Gear Cage Assembly	1
	(1) 000-3436	Pin	3
	(2) 000-2415	Needle Bearing	6
	(3) D49WRB-9	Planet Gear	6
	(4) D51WRB	Gear Cage	1
32	D49WRB-2#BZ	Gear Ring	1
33	D39WRB-2	Washer	1
34	D42WRB-3	Bushing	1
4⊙	B42WRB4-70	Angle Housing Units	1
35	D54WRB-2	Lock Nut	1
36	D44WRB	Collar	1
37	D54WRB-1#BZ	Lock Nut	1
38	B49WRB70-1	Main Bevel Gear Assembly	1
39	B42WRB70#BZ	Angle Housing Assembly	1
40	000-1340	Screw	1
41	000-4114	O-Ring (ø3×ø1.5)	1
42	B49WRB4-70	Bevel Gear Assembly	1
43	D54WRB#BZ	Lock Nut	1
44	B75WR	Sensor & LED Assembly	1
45	B09PW15-1#B1	F/R Valve (1set×2pcs)	1
46	D48PW15-1	Spring	1
47	E76WR	PC Board	1
48D(1)	B86PW35	Connector Wire	1
49	C39PW15-3	Washer	1
50	D48PW15	Spring	1
51	B09PW15#B1	Trigger Assembly	1
52	C10SC108B-2#B1	Cover	1
53C	33110-WRBA-02	Cover	1
54	000-1430C	Screw (M3×P0.5×10L)	16
55	000-1531B	Washer (ø3.3×ø8)	2
56	C10WRB#B1	Cover	1