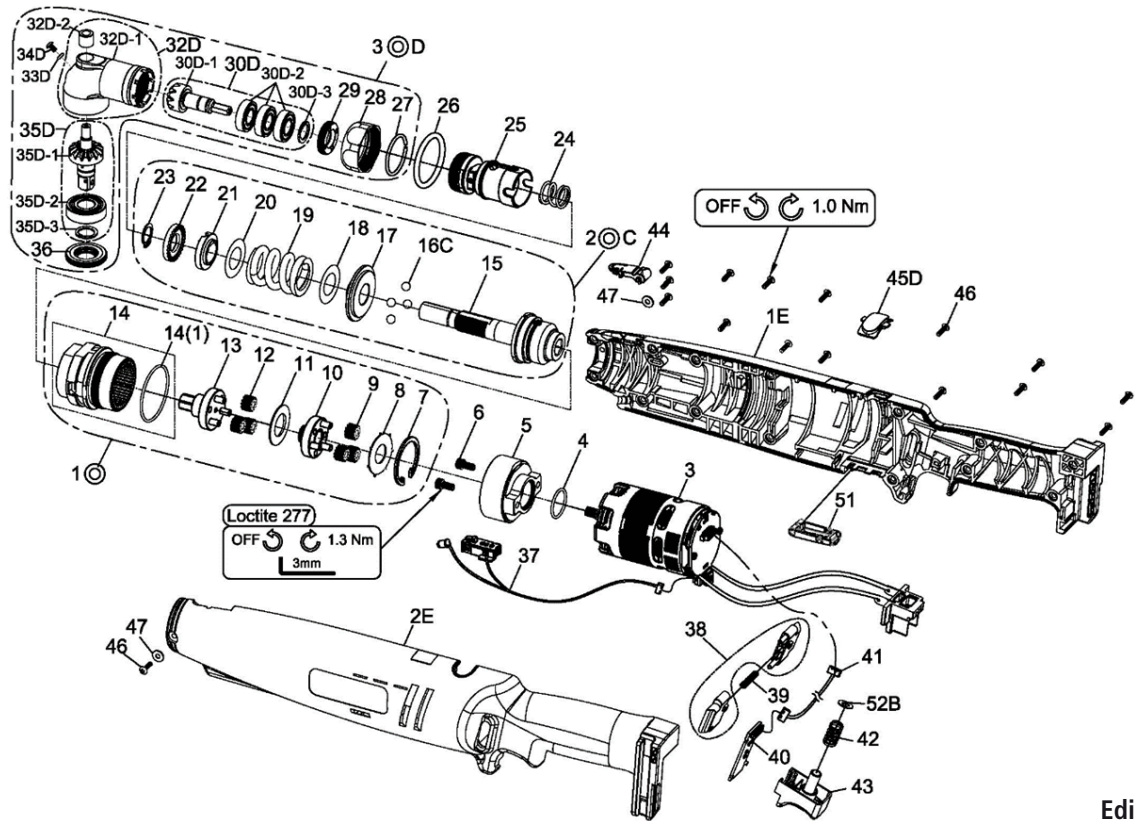


RRI-BA35S3 CORDLESS ANGLE WRENCH



Edition: E

Index No	Part No.	Description	Q'ty
1E	32001-WRCA(L)	Upper Housing	1
2E	32002-WRCA(L)	Lower Housing	1
3	B83WRB35	Brushless Motor Assembly ;w/driver	1
4	000-4110	O-Ring (Ø16xØ1,5)	1
5	D51SC108B	Motor Holder	1
6	000-0242	Screw (M4x8L)	2
10	B50WR35	Gear Box Units	1
7	000-3128	Snap ring (RTW-28)	1
8	D39WR	Washer	1
9	D49WR-7	Planet Gear	3
10	B51WR-10	Gear Cage Assembly	1
11	D39WR-8	Washer	1
12	B49WR-11	Planet Gear	3
13	B51WR-8	Gear Plate Assembly	1
14	B50WR	Gear Box Assembly	1
	(1)000-4118	(1) O-Ring (Ø28xØ1,5)	1*
20C	B43WRB30	Clutch Units	1
15	B29WR	Clutch Assembly	1
16C	000-3854	Steel Ball (Ø7/32")	4
17	D39WR-1	Washer	1
18	D39WR-7	Washer	1
19	D48WR-4	Spring (Red)	1
20	D39WR-5	Washer (White)	1
21	D39SC108B-2	Adjust Washer	1
22	D54WR	Adjust Nut	1
23	000-30212I	Snap Ring (ISTW-12)	1
24	D48WR	Spring	1
25	B51WR	Connecting Holder Assembly	1
26	000-4120W	Marking Ring (P32, White)	1

Index No	Part No.	Description	Q'ty
30D	32042-WRCA-S3-01	Angle Housing Units	1
27	D44WR108B	Collar	1
28	D54WR108B#BZ	Lock Nut	1
29	D54WR108B-1B	Lock Nut	1
30D	32049-WRBA-01	Main Bevel Gear Assembly	1
	(1)33249-WRBA-13	Main Bevel Gear	1
	(2)0-201023	Ball bearing (6900ZZ)	3
30D	(3)0-331002	Inverted Retaining Ring (ISTW-10)	1
	32D	32042-WRCA-03	Screw (M4x5L)
32D	(1)33242-WRCA-02	Angle Housing	1
	(2)0-211005	Needle Bearing (BK0609)	1
33D	(1)33242-WRCA-02	Bevel Gear Assembly	1
34D	(2)0-211005	Lock Nut	1
35D	32049-WRBA-S3-01	Bevel Gear Assembly	1
	(1)32049-WRBA-S3-02	Bevel Gear	1
	(2)0-201033-1	Ball Bearing (6001-2RSH)	1
35D	(3)0-331003	Inverted remaining Ring (ISTW-12)	1
36	D54WR108B-2B	Lock Nut	1
37	B75WR	Sensor & LED Assembly	1
38	B09PW15-1#B1	F/R Valve (1setx2pcs)	1
39	D48PW15-1	Spring	1
40	E76WR	PC Board	1
41	E86SC	Connector Wire	1
42	D48PW15	Spring	1
43	B09PW15#B1	Trigger Assembly	1
44	C10SC108B-2#B1	Cover	1
45D	33110-WRBA-02	Cover	1
46	000-1430C	Screw (M3xP0,5 x10L)	16
47	000-1531B	Washer (Ø3,3xØ8)	2
51	C10WRB#B1	Cover	1
52B	C39PW15-3	Washer	1