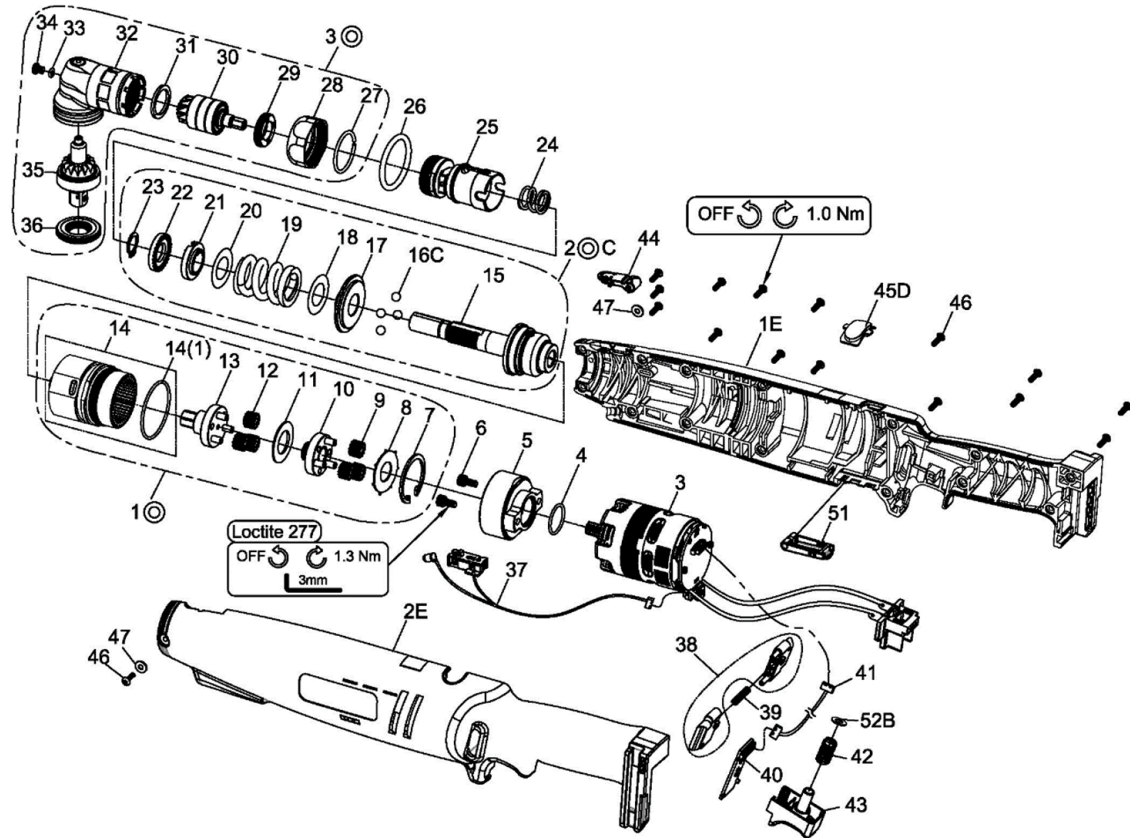


RRI-BA16S3 CORDLESS ANGLE WRENCH



Edition F

Index No	Part No.	Description	Q'ty
1E	32001-WRCA(S)	Upper Housing	1
2E	32002-WRCA(S)	Lower Housing	1
3	B83WRB16	Brushless Motor Assembly ;w/driver	1
4	000-4110	O-Ring (Ø16×Ø1.5)	1
5	D51SC108B	Motor Holder	1
6	000-0242	Screw (M4×8L)	2
1⊙	B50WRR30	Gear Box Units	1
7	000-3128	Snap ring (RTW-28)	1
8	D39WR	Washer	1
9	D49WR-9	Planet Gear	3
10	B51WR-5	Gear Cage Assembly	1
11	D39WR-8	Washer	1
12	D49WR-11	Planet Gear	3
13	B51WR-8	Gear Plate Assembly	1
14	B50WR	Gear Box Assembly	1
	(1)000-4118	(1) O-Ring (Ø28×Ø1.5)	1*
2⊙C	B43WRB16	Clutch Units	1
15	B29WR	Clutch Assembly	1
16C	000-3854	Steel Ball (Ø7/32")	4
17	D39WR-1	Washer	1
18	D39WR-7	Washer	1
19	D48WR-2	Spring (Yellow)	1
20	D39WR-5	Washer (White)	1
21	D39SC108B-2	Adjust Washer	1
22	D54WR	Adjust Nut	1
23	000-30212I	Snap Ring (ISTW-12)	1
24	D48WR	Spring	1

Index No	Part No.	Description	Q'ty
25	B51WR	Connector Holding Assembly	1
26	000-4120Y	Marking Ring (P32, Yellow)	1
3⊙	B42WR3#BZ	Angle Housing Units	1
27	D44WR108B	Collar	1
28	D54WR108B#BZ	Lock Nut	1
29	D54WR108B-1B	Lock Nut	1
30	B49WR144B-8	Main Bevel Gear Assembly	1
31	D39WR144B	Washer	1
32	B42WR-1#BZ	Angle Housing Assembly	1
33	000-4114	O-Ring (Ø3×Ø1.5)	1
34	000-1340	Screw (M4x5L)	1
35	B49WR144B3-9	Bevel Gear Assembly	1
36	D54WR108B-2B	Lock Nut	1
37	B75WR	Sensor & Led Assembly	1
38	B09PW15-1#B1	F/R Valve (1set x 2pcs)	1
39	D48PW15-1	Spring	1
40	E76WR	PC Board	1
41	E86SC	Connector Wire	1
42	D48PW15	Spring	1
43	B09PW15#B1	Trigger Assembly	1
44	C10SC108B-2#B1	Cover	1
45D	C10WR#W2	Cover	1
46	000-1430C	Screw (M3xP0.5 x10L)	16
47	000-1531B	Washer (Ø3.3×Ø8)	2
51	C10WRB#B1	Cover	2
52B	C39PW15-3	Washer	1