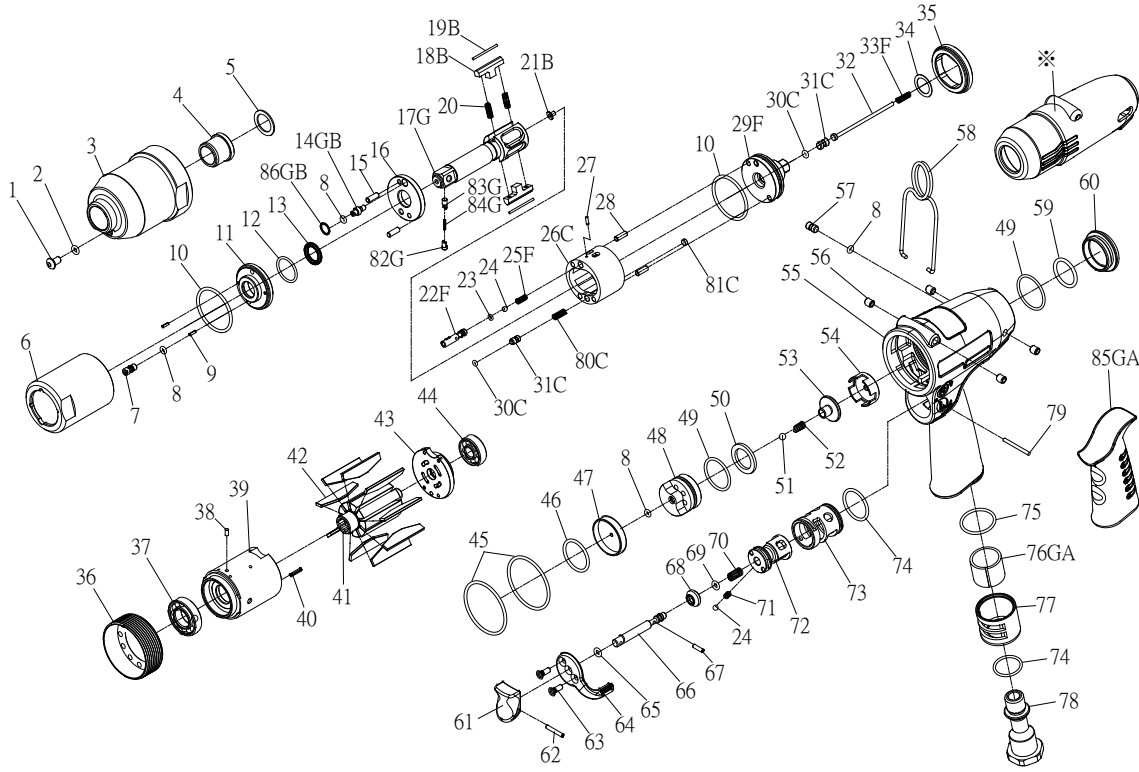


# RRI-90T IMPULSE WRENCH



Edition:07B

| Index No. | Part No.   | Description         | Q'ty | Index No. | Part No.  | Description  | Q'ty |
|-----------|------------|---------------------|------|-----------|-----------|--|------|
| 1         | I90-410    | Greasing Screw      | 1    | 49        | 00-41127  | O-Ring   | 2    |
| 2         | 00-4153    | O-Ring              | 1    | 50        | IS100-312 | Washer   | 1    |
| 3         | I90-201    | Pulse Unit Housing  | 1    | 51        | 00-3824   | Steel Ball   | 1    |
| 4         | I100-202   | Bushing             | 1    | 52        | IS100-313 | Spring   | 1    |
| 5         | I100-424   | Washer              | 1    | 53        | IS100-311 | Valve  | 1    |
| 6         | I90-401    | Pulse Cylinder Seat | 1    | 54        | IS100-518 | Seat   | 1    |
| 7         | I70-410    | Greasing Screw      | 1    | 55        | IS90-101  | Motor Housing  | 1    |
| 8         | 00-41113   | O-Ring              | 4    | 56        | I40S-108  | Bushing  | 4    |
| 9         | 00-3407    | Pin                 | 2    | 57        | IS100-609 | Screw  | 1    |
| 10        | 00-41163   | O-Ring              | 2    | 58        | I40S-102  | Hanger   | 1    |
| 11        | I90-403    | Front Cover         | 1    | 59        | 00-41166  | O-Ring   | 1    |
| 12        | I100-409   | Back Up Ring        | 1    | 60        | I100-104  | Nut  | 1    |
| 13        | 00-2601    | X-Ring              | 1    | 61        | I130-504  | Trigger  | 1    |
| 14GB      | I80-411    | Valve Screw         | 1    | 62        | 00-3354   | Spring Pin   | 1    |
| 15        | 00-3435    | Pin                 | 2    | 63        | 00-0505   | Screw  | 2    |
| 16        | I90-408    | Front Plate         | 1    | 64        | I100-503  | Regulator Knob   | 1    |
| 17G       | I90-405-B  | Anvil               | 1    | 65        | 00-4101   | O-Ring   | 1    |
| 18B       | I90-406-B  | Drive Blade         | 2    | 66        | IS100-505 | Valve Stem   | 1    |
| 19B       | I90-452    | Roller              | 2    | 67        | 00-3356   | Spring Pin   | 1    |
| 20        | I90-407    | Spring              | 2    | 68        | I100-508  | Bushing  | 1    |
| 21B       | IS40-450   | Block Valve         | 1    | 69        | 00-41172  | O-Ring   | 1    |
| 22F       | IS90-412-C | Valve               | 1    | 70        | I100-507  | Spring   | 1    |
| 23        | 00-41162   | O-Ring              | 1    | 71        | I100-506  | Spring   | 1    |
| 24        | 00-3813    | Steel Ball          | 2    | 72        | IS100-502 | F/R Valve  | 1    |
| 25F       | IS90-425-C | Spring              | 1    | 73        | I100-501  | Valve Sleeve   | 1    |
| 26C       | I90-404-B  | Pulse Cylinder      | 1    | 74        | 00-41111  | O-Ring   | 2    |
| 27        | 00-3433    | Pin                 | 1    | 75        | 00-4158   | O-Ring   | 1    |
| 28        | 00-3419    | Pin                 | 2    | 76GA      | I70-601   | Muffler  | 1    |
| 29F       | IS90-415-C | Rear Plate          | 1    | 77        | I100-603  | Exhaust Deflector  | 1    |
| 30C       | 00-41173   | O-Ring              | 2    | 78        | I100-604A | Air Inlet 1/4"PF 19  | 1    |
| 31C       | IS40S-421  | Pressure Valve      | 2    |           | I100-604B | Air Inlet 1/4"PT 19  | 1    |
| 32        | IS90-314   | Shut Off Stem       | 1    |           | I100-604C | Air Inlet 1/4"NPT 18   | 1    |
| 33F       | IS150-317  | Spring              | 1    | 79        | I100-511  | Pin  | 1    |
| 34        | I100-423   | Washer              | 1    | 80C       | I90-453   | Spring   | 1    |
| 35        | I90-402    | Lock Nut            | 1    | 81C       | I40S-454  | Block Cap  | 1    |
| 36        | I90-306    | Lock Nut            | 1    | 82G       | I100-462  | Upper Pin  | 1    |
| 37        | 00-2351    | Ball Bearing        | 1    | 83G       | I100-463  | Lower Pin  | 1    |
| 38        | 00-3324    | Spring Pin          | 1    | 84G       | I100-464  | Spring   | 1    |
| 39        | I90-302    | Cylinder            | 1    | 85GA      | I90-103   | Housing Rubber   | 1    |
| 40        | 00-3339    | Spring Pin          | 1    | 86GB      | I80-422   | Back Up Ring   | 1    |
| 41        | I90-303    | Rotor               | 1    | *         | I90-109   | Tool Cover   | 1    |
| 42        | I90-304    | Rotor Blade         | 9    | *         | IS90RK    | Repair kit :Index No-8(2); 10(2); 12; 13; 20(2);30C(2)                 |      |
| 43        | I90-305    | Rear Plate          | 1    | *         | IS90SK    | Service kit :Index No-16;17G;18B(2);19B(2); 29F; 41(9); 52; 68; 69; 70 |      |
| 44        | 00-2358    | Ball Bearing        | 1    | *         | I40-451   | Impulse Oil  |      |
| 45        | 00-41181   | O-Ring              | 2    |           |           |  |      |
| 46        | 00-41138   | O-Ring              | 1    |           |           |  |      |
| 47        | IS100-307  | Rear Cover          | 1    |           |           |  |      |
| 48        | IS100-524  | Valve Seat          | 1    |           |           |  |      |

★Pulse unit includes:

Index No : 6,7,8,9,10,11,12,13,14GB,15,16,17G,18B,19B,20,21B,22F,23,24,25F,26C,27,28, 29F,30C,31C,35,80C,81C,82G,83G,84G,86GB