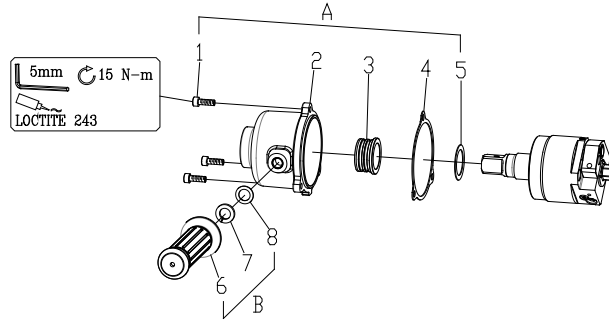


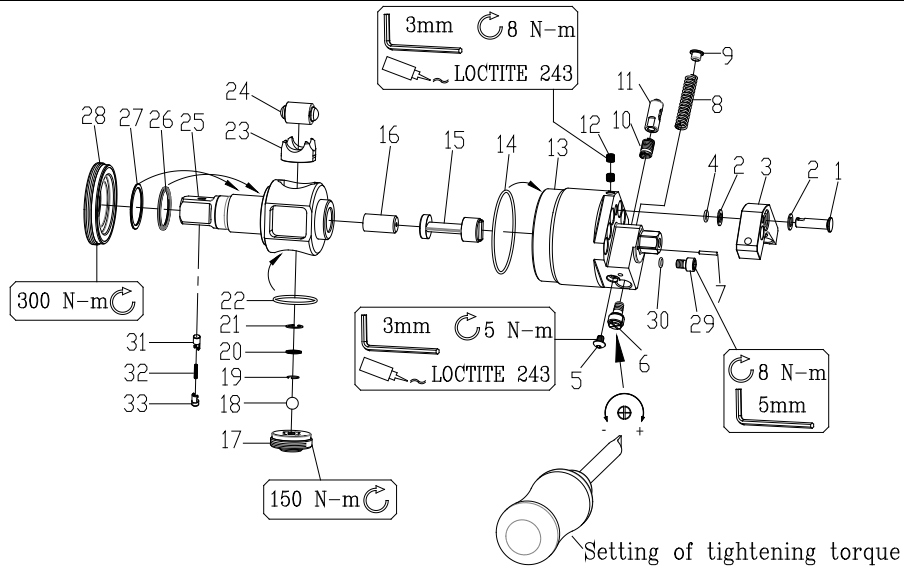
RRI-200T Exploding view

Pulse unit Casing _ I



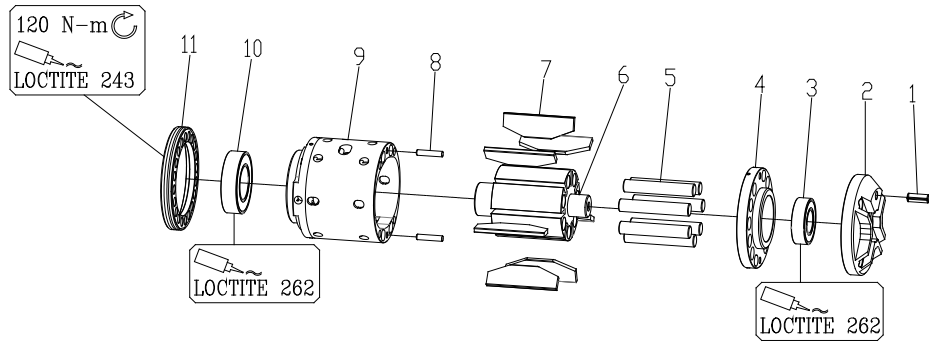
	Index No	Part No	Description	Q.ty	Remark
A	1	00-0140	Cap Screw	3	M6x18l
	2	I200-201	Pulse Unit Housing	1	
	3	I200-202	Bushing	1	
	4	I200-205	Gasket	1	
	5	I200-424C	Washer	1	Axial gap: 0.8 0.9 1.0 mm
B	6	I180-206	Side Handle	1	
	7	00-1811	Spring Washer	1	M12
	8	00-1514	Washer	1	Ø20x Ø13x1t

Pulse unit _ II



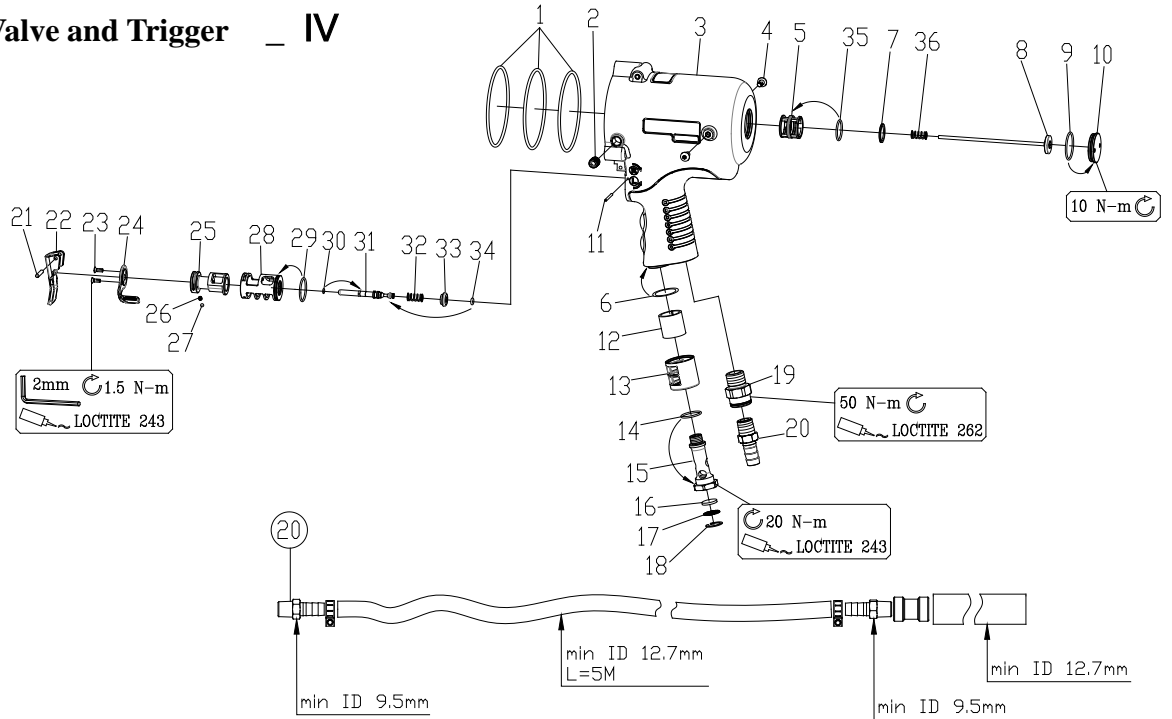
	Index No	Part No	Description	Q.ty	Remark
	1	IS200-474	Pin	1	
	2	IS200-475	Washer	2	
	3	IS200-473	Inertia Block	1	
	4	00-41243	O-Ring	1	Ø 6 x Ø 1.5
	5	00-1304	Round Head Bolt	1	M5x6L
	6	IS200-478	Adjusting Screw	1	
	7	00-3354	Spring Pin	1	Ø 2 x14L
	8	IS200-481	Adjusting Spring	1	
	9	IS200-477	Spring Setter	1	
	10	IS200-484	Spring	1	
	11	IS200-482	Pin	1	
	12	IS200-493	Set Screw	2	
	13	IS200-404	Pulse Cylinder	1	
	14	00-41216	O-Ring	1	AS036 / Ø 60 x Ø 1.78
	15	IS200-479	Roll Shaft	1	
	16	I200-490	Roller Plug	1	
	17	IS200-476	Locking Nut	1	
	18	00-3832	Steel Ball	1	Ø 9
	19	I200-494	Collar	1	
	20	I200-469	Washer	1	
	21	00-3118	Snap Ring	1	R12
	22	00-41136	O-Ring	1	AS25 / Ø 29.87 x Ø 1.78
	23	I200-467	Piston	1	
	24	I200-468	Roller	1	
	25	IS200-405	Anvil	1	
	26	00-2606	X-Ring	1	Ø 28.17 x Ø 3.53
	27	I200-409	Back Up Ring	1	
	28	I200-402	Luck Nut	1	
	29	00-0147	Cap Screw	1	M6x8L
	30	00-41179	O-Ring	1	Ø 4.5x Ø 1.5
	31	I150-462	Upper Pin	1	
	32	I150-464	Spring	1	
	33	I150-463	Lower Pin	1	

Motor Unit – III



Index No	Part No	Description	Q.ty	Remark
1	00-3370	Sorina Pin	1	Ø 6 x16L
2	I200-310	Air Inlet Plate	1	
3	00-2385	Ball Bearing	1	6003 / Ø 17 x Ø 35 x10
4	I200-305	Rear Plate	1	
5	I200-322	Roll Plug	7	
6	I200-303	Rotor	1	
7	I200-304	Rotor Blade	7	
8	00-3330	Spring Pin	2	Ø 4 x20L
9	I200-302	Cylinder	1	
10	00-2386	Ball Bearing	1	6005 / Ø 25x Ø 47 x12
11	I200-306	Luck Nut	1	

Housing Unit and Valve and Trigger – IV



Index No	Part No	Description	Q.ty	Remark
1	00-41218	O-Ring	3	AS151 / Ø75.87x Ø 2.62
2	00-0616	Set Screw	1	M10x8L
3	I200-101	Motor Housing	1	
4	00-1304	Round Head Bolt	2	M5x6L
5	IS200-518	Seat	1	
6	00-41145	O-Ring	1	Ø 18x Ø 1.5
7	IS200-312	Valve Washer	1	
8	IS200-311	Valve	1	
9	00-41128	O-Ring	1	Ø25x Ø 1.5
10	I200-104	Nut	1	
11	00-3461	Pin	1	Ø2x30L
12	I200-601	Muffler	1	
13	I200-603	Exhaust Deflector	1	
14	00-41111	O-Ring	1	Ø 16x Ø 1.5
15	I200-610	Air Inlet Bushing	1	
16	I200-605	Muffler	1	
17	I200-606	Net	1	
18	00-3103	Snap Ring	1	R16
19	I200-604A	Air Inlet	1	3/8"PF-19
	I200-604B	Air Inlet	1	3/8"PT-19
	I200-604C	Air Inlet	1	3/8"NPT-18

Index No	Part No	Description	Q.tv	Remark
20	277-033	Nipple	1	3/8"Px1/2
21	00-3308	Spring Pin	1	Ø3x18L
22	I150-504	Triqger	1	
23	00-0505	Screw	2	M3x6L
24	I150-503	Regulator Knob	1	
25	IS200-502	F/R Valve	1	
26	I100-506	Spring	1	
27	00-3813	Steel Ball	1	Ø 1/8"
28	I200-501	Valve Sleeve	1	
29	00-41146	O-Ring	1	Ø 21x Ø 1.5
30	00-4101	O-Ring	1	Ø 3x Ø 1
31	IS200-505	Valve Stem	1	
32	I150-507	Spring	1	
33	I150-508	Bushing	1	
34	00-41199	O-Ring	1	Ø 1.8x Ø 1.9
35	00-41244	O-Ring	1	Ø 19x Ø 1.5
36	IS180-317	Spring	1	

Repair Kit – Pulse unit Casing / Pulse unit / Motor Unit / Housing Unit and Valve and Trigger

Ordering No. IS200RK

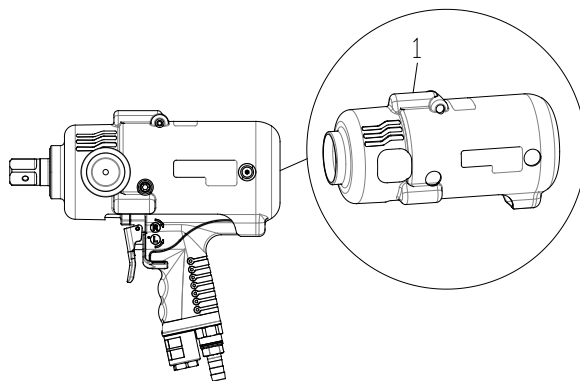
Index No	Part No	Description	Q.tv	Remark
1	I200-205	Gasket	1	
2	00-41216	O-Ring	1	AS036 / Ø 60 x Ø 1.78
3	00-2606	X-Ring	1	Ø 28.17 x Ø 3.53
4	I200-409	Back Up Ring	1	
5	00-41179	O-Ring	1	Ø 4.5x Ø 1.5

Service Kit

Ordering No. IS200SK

Index No	Part No	Description	Q.tv	Remark
1	IS200-473	Inertia Block	1	Pulse Unit
2	00-41243	O-Ring	1	Ø 6 x Ø 1.5 / Pulse Unit
3	00-41136	O-Ring	1	AS25 / Ø 29.87 x Ø 1.78 / Pulse Unit
4	I200-310	Air Inlet Plate	1	Motor Unit
5	I200-304	Rotor Blade	7	Motor Unit
6	00-2386	Ball Bearing	1	6005 / Ø 25x Ø 47 x12 / Motor Unit
7	00-41218	O-Ring	3	AS151 / Ø75.87x Ø 2.62 / Housing Unit and Valve and Triqger
8	00-41145	O-Ring	1	Ø 18x Ø 1.5 / Housing Unit and Valve and Triqger
9	00-41128	O-Ring	1	Ø25x Ø 1.5 / Housing Unit and Valve and Triqger
10	I200-601	Muffler	1	Housing Unit and Valve and Triqger
11	00-41111	O-Ring	1	Ø 16x Ø 1.5 / Housing Unit and Valve and Triqger
12	I200-605	Muffler	1	Housing Unit and Valve and Triqger
13	00-41146	O-Ring	1	Ø 21x Ø 1.5 / Housing Unit and Valve and Triqger
14	00-4101	O-Ring	1	Ø 3x Ø 1 / Housing Unit and Valve and Triqger
15	00-41199	O-Ring	1	Ø 1.8x Ø 1.9 / Housing Unit and Valve and Triqger
16	IS180-317	Spring	1	Housing Unit and Valve and Triqger
17	00-41244	O-Ring	1	Ø 19x Ø 1.5 / Housing Unit and Valve and Triqger

Service Tools



Index No	Part No	Description	Q.tv	Remark
1	I200-109	Tool Cover	1	
2	01-0507	Impulse Oil	1000 ml	