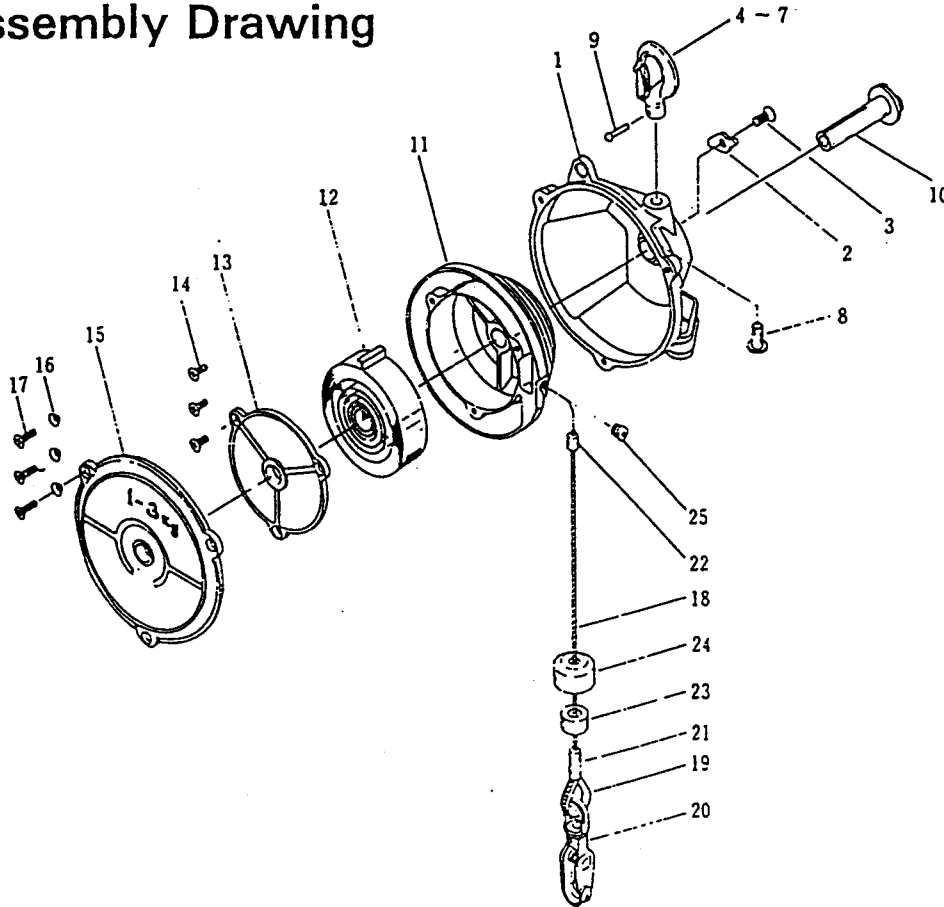


INSTRUCTION MANUAL

SPRING BALANCER EW SERIES

I. Disassembly Drawing



II. Parts List

Ref. No.	Name	Part No.	Ref. No.	Name	Part No.	Ref. No.	Name	Part No.
	EW-3 / EW-5		11	Drum	3008	24	Rubber buffer	3017
1	Case	3001	13	Drum cover	3010	25	Wire set bolt	PH1/8
2	Ratchet	3002	14	Cross-recessed flat head machine screw	SCC512			
3	Cross-recessed flat head machine screw	SCC614	16	Flat-toothed lock washer	WTC5			
	Hanger set	3004	17	Cross-recessed flat head machine screw	SCC516		EW-3	
4	Hanger	—		Wire rope set	3015	12	Power spring	3009
5	Hanger stopper	—	18	Wire rope	—	15	Lid	3012
6	Hanger spring	—	19	Wire end fixture	—			
7	Button-head rivet	—	20	Spring hook	—		EW-5	
8	Hanger shaft	3005	21	Safe-lock tube	—	12	Power spring	5009
9	Button-head rivet	RRC318	22	Aluminium lock tube	—	15	Lid	5012
10	Spindle	3007	23	Rubber spacer	3016			

Note: Please order any of the above listed parts, identifying the model number, if any, part number, and name, except parts with no part number which are not supplied.